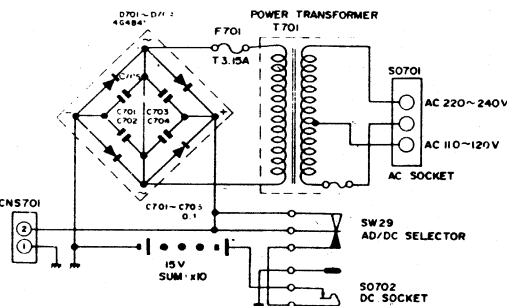
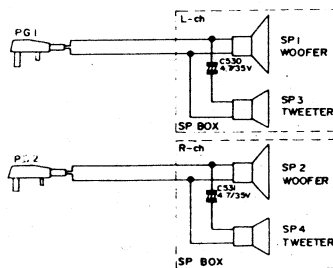
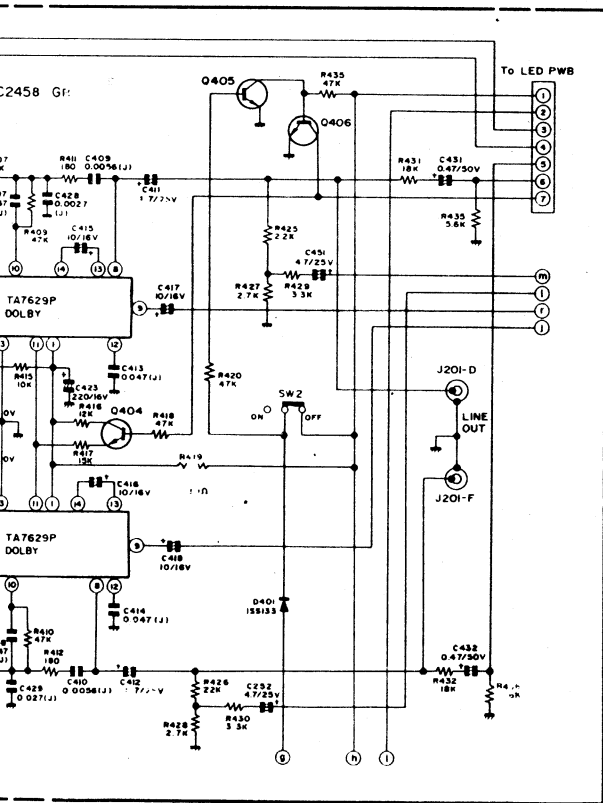
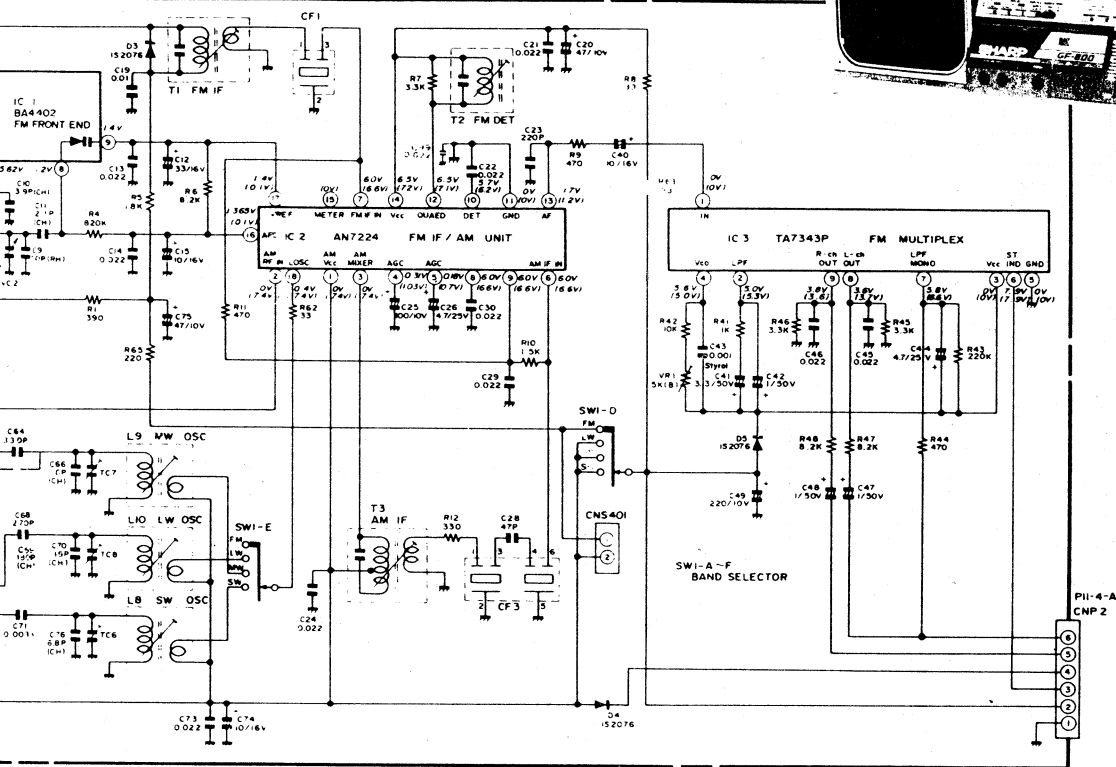
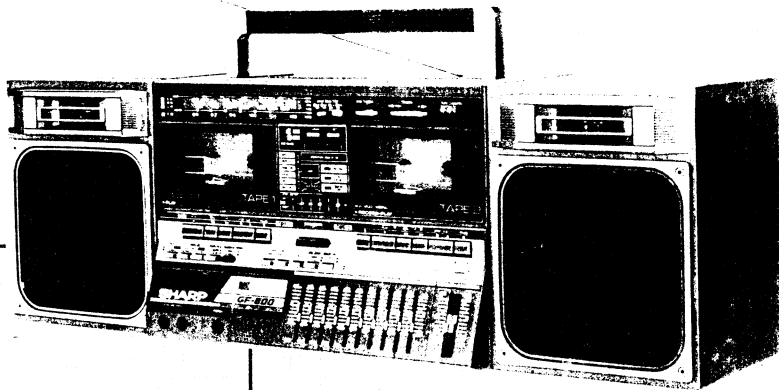
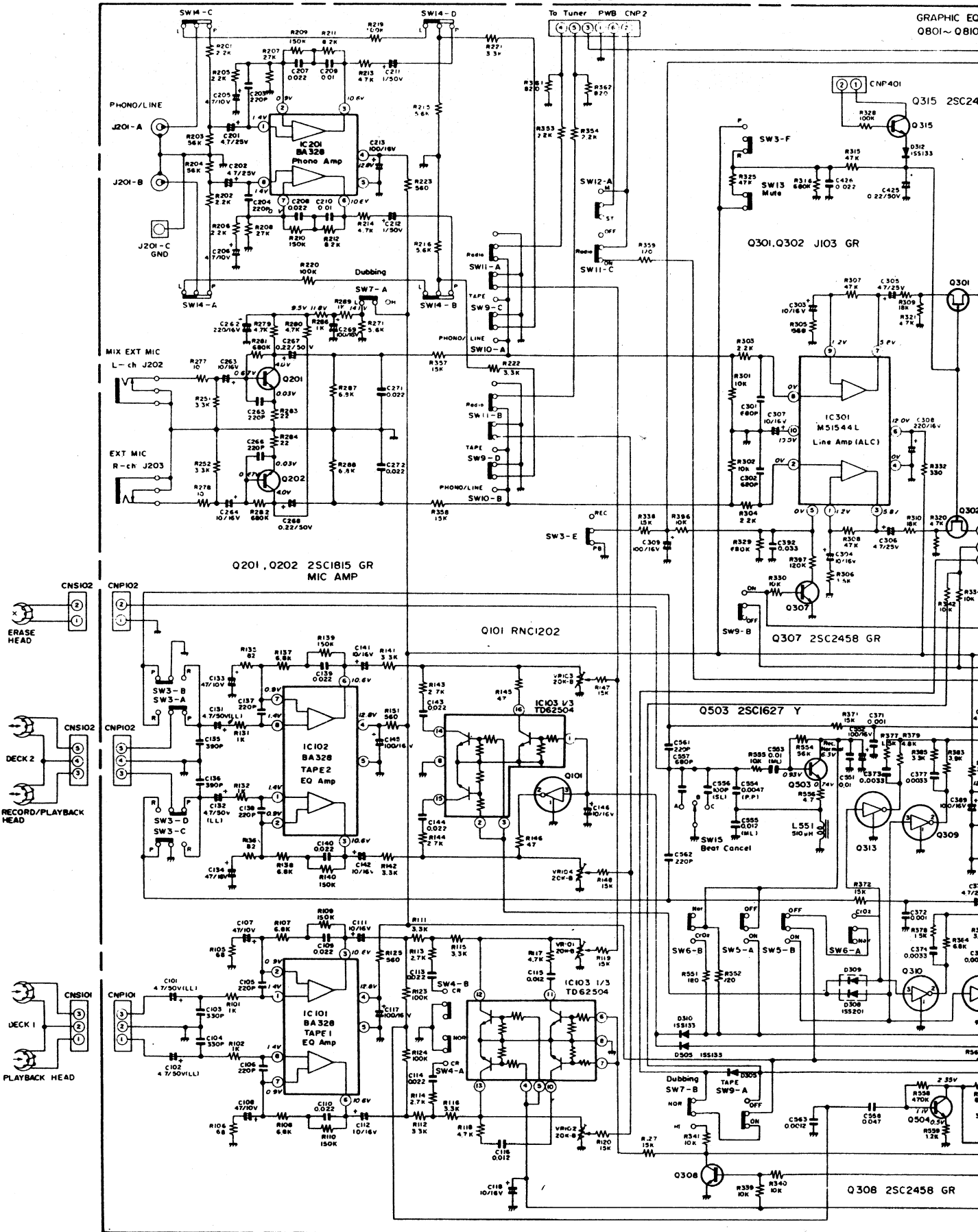


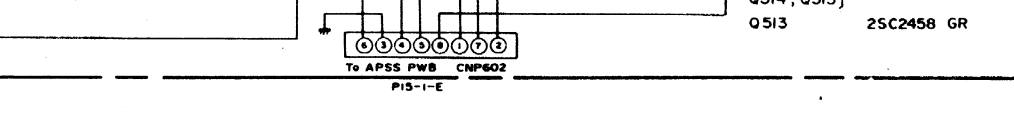
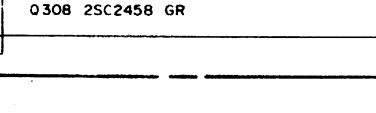
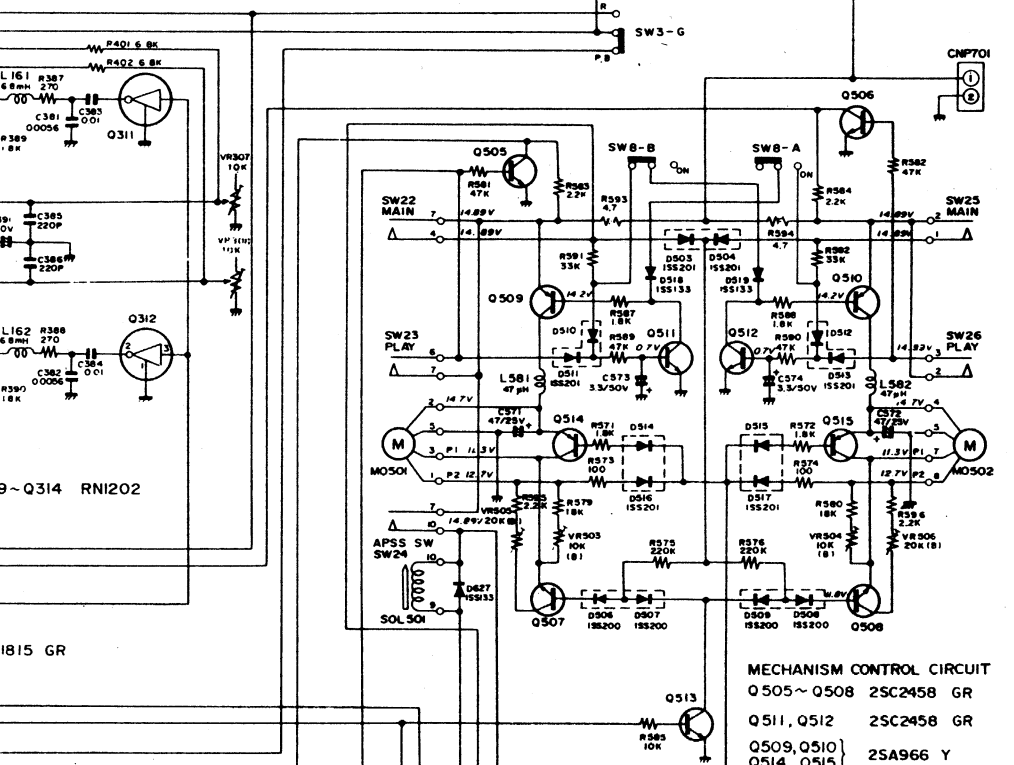
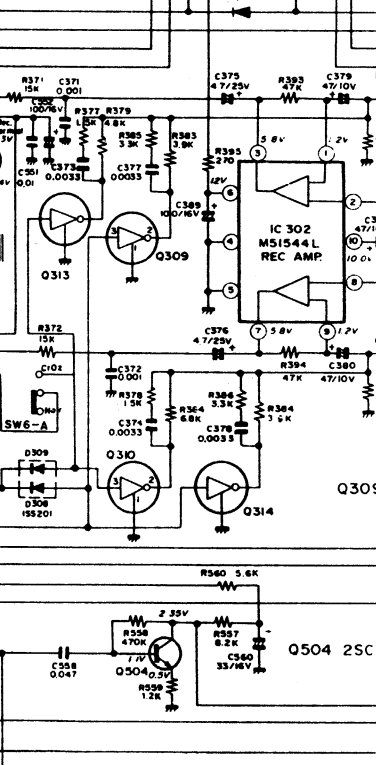
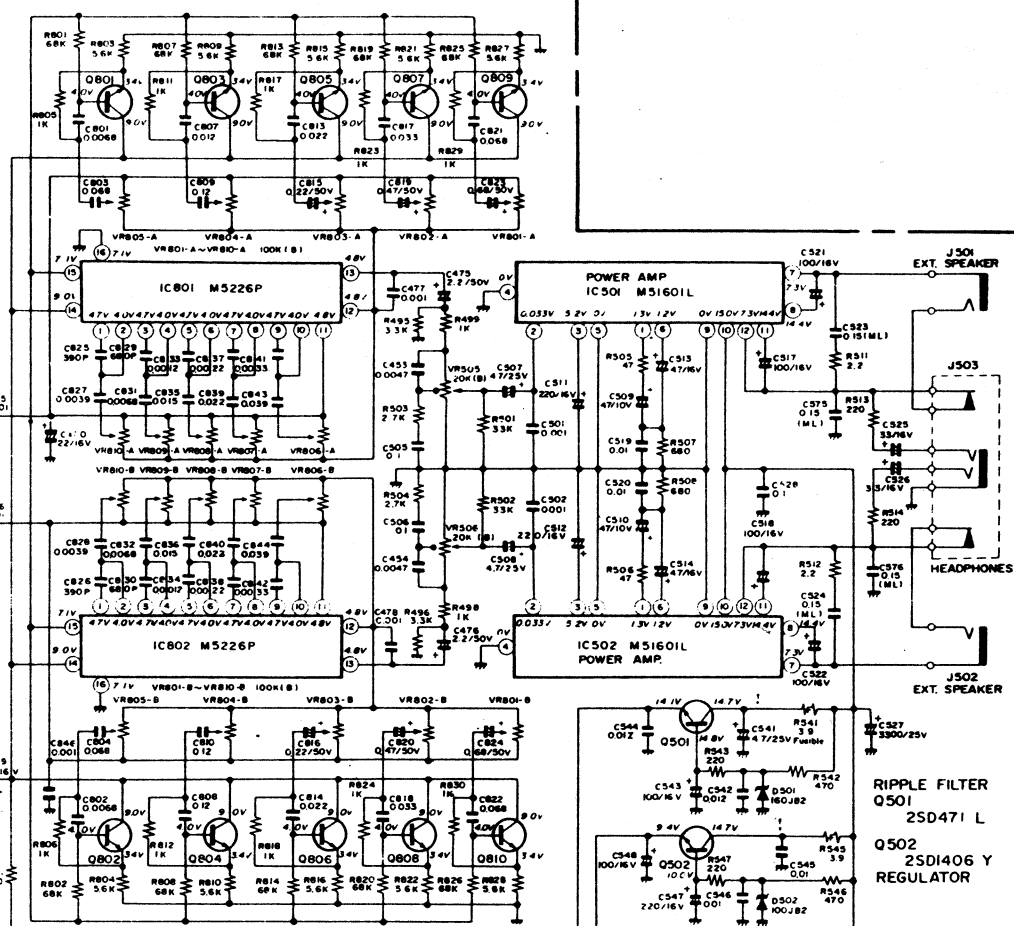
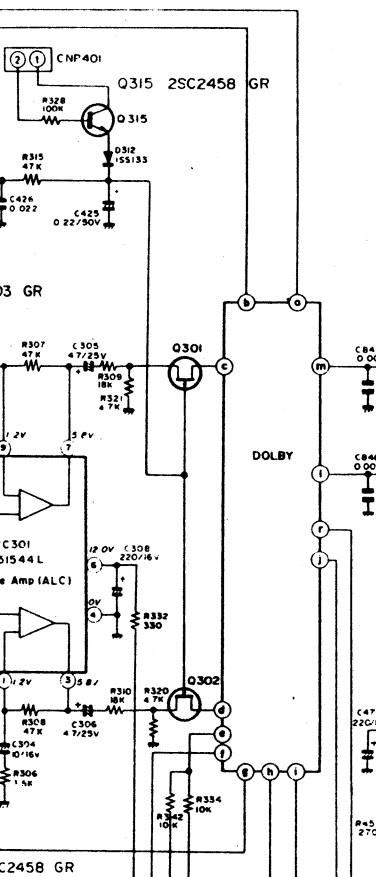
SHARP

GF-800H





GRAPHIC EQUALIZER CIRCUIT
Q801~Q810 25C2458 GR



RIPPLE FILTER
Q501
2SD471 L

REGULATOR
Q502
2SD1406 Y

MECHANISM CONTROL CIRCUIT
Q505~Q508 25C2458 GR
Q511, Q512 25C2458 GR
Q509, Q510 25A966 Y
Q514, Q515 25A966 Y
Q513 25C2458 GR

To APSS PWB CNP602
P15-1-E