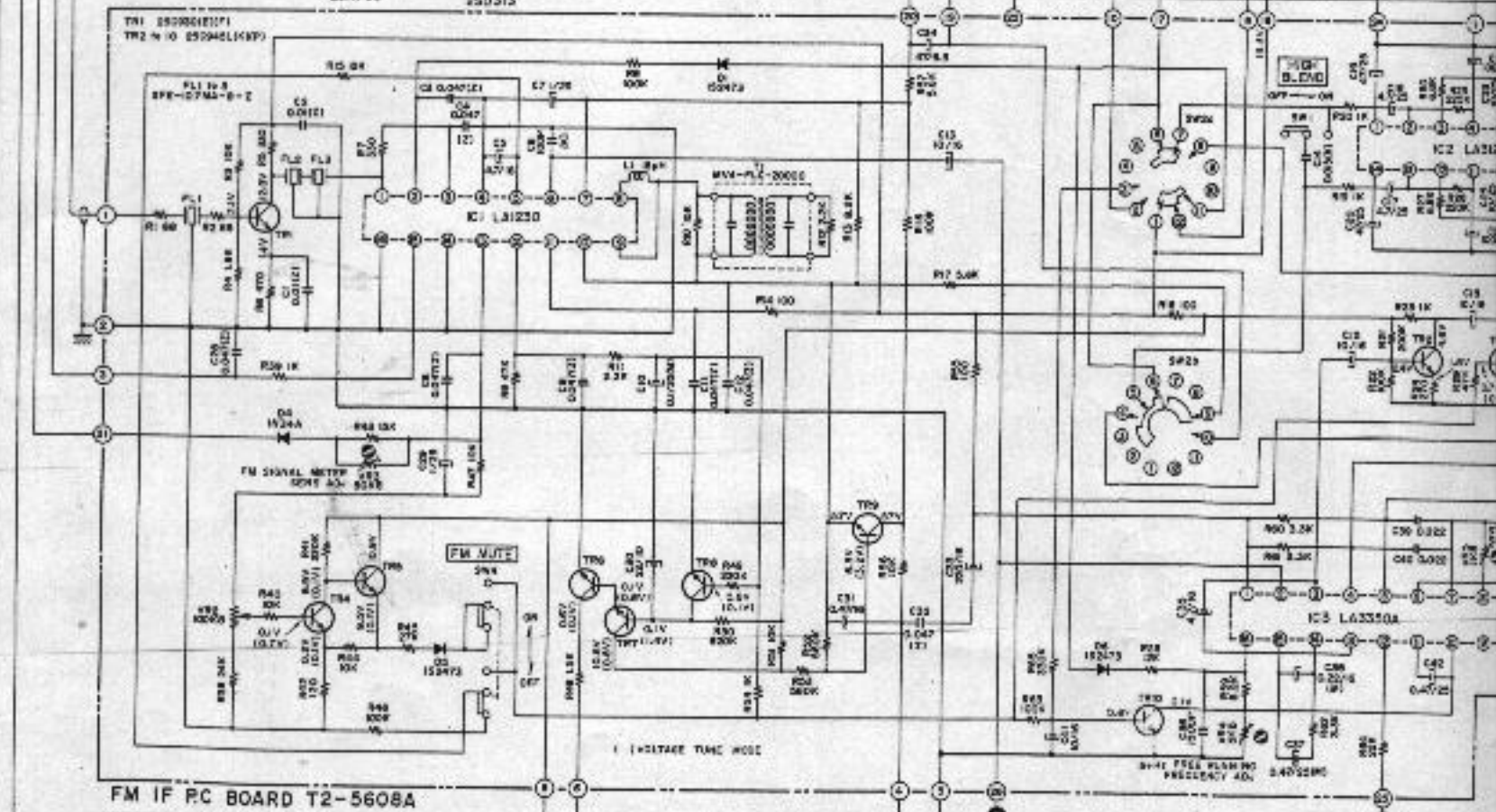
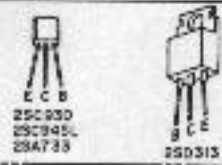
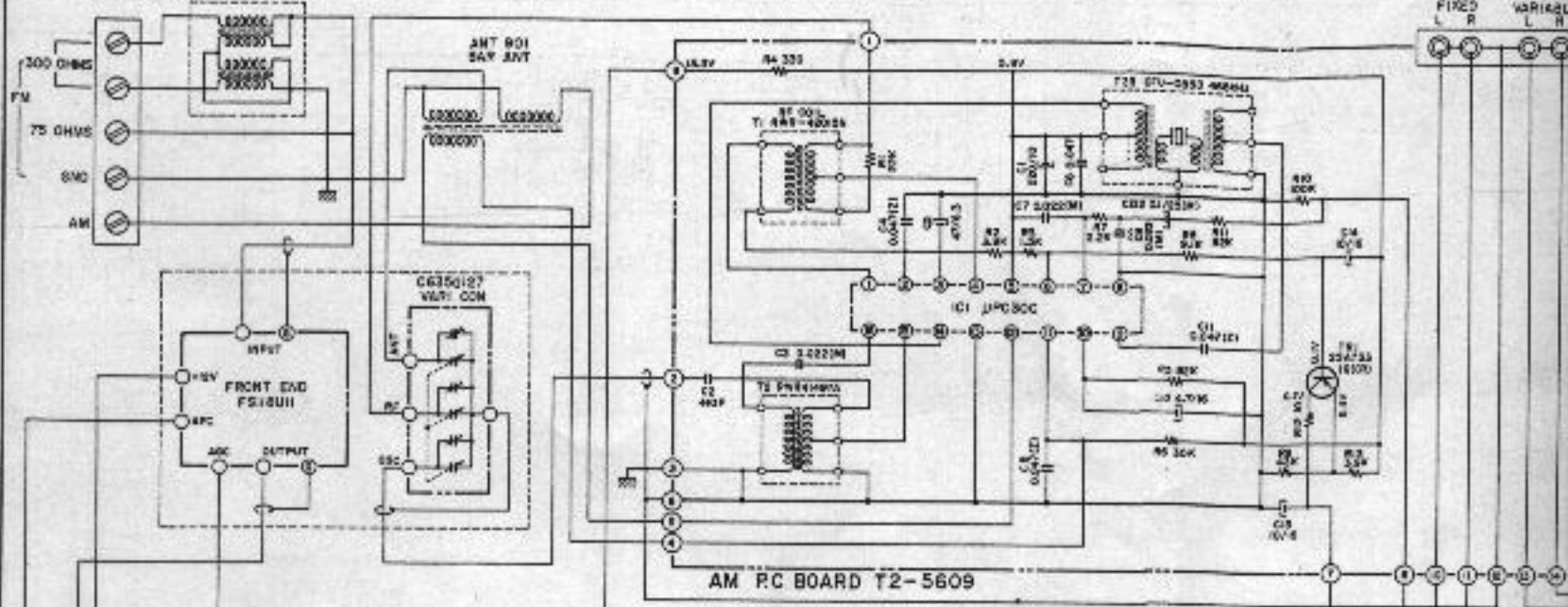


AT-2600

T2
75 OHMS - 300 OHMS

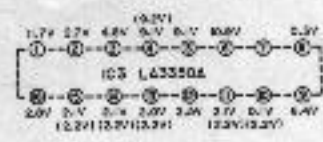
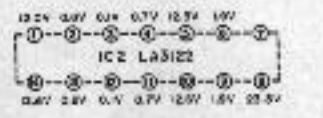
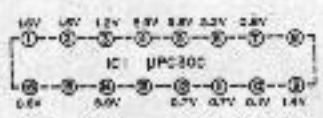
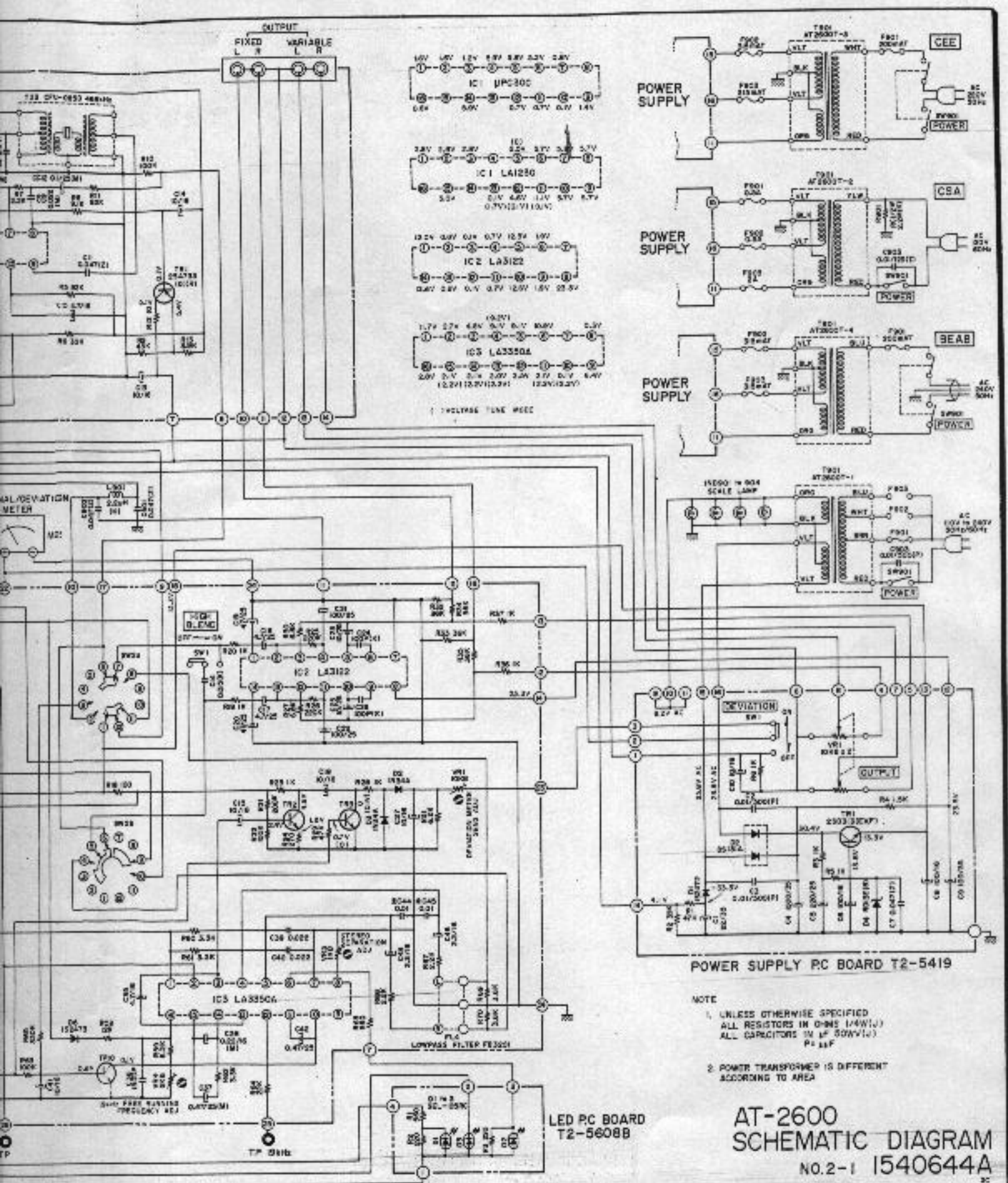


SW2 SELECTOR

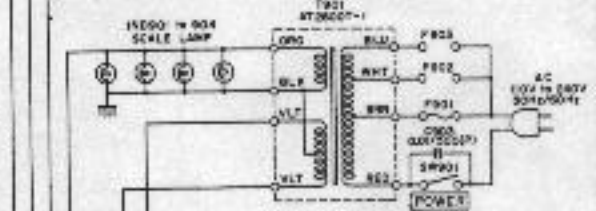
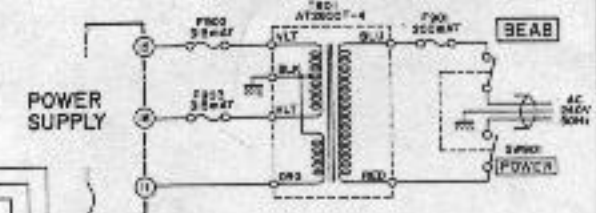
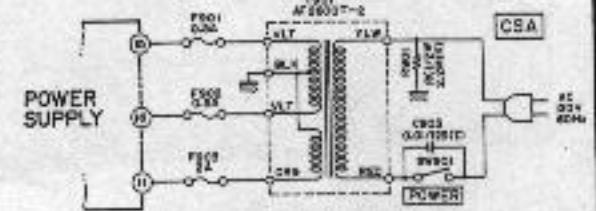
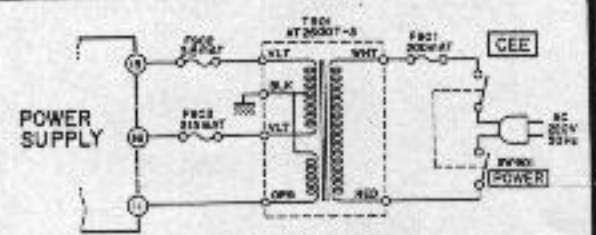
NOW MODE

FM AUTO

FM MUTE



1. SINE WAVE GENER



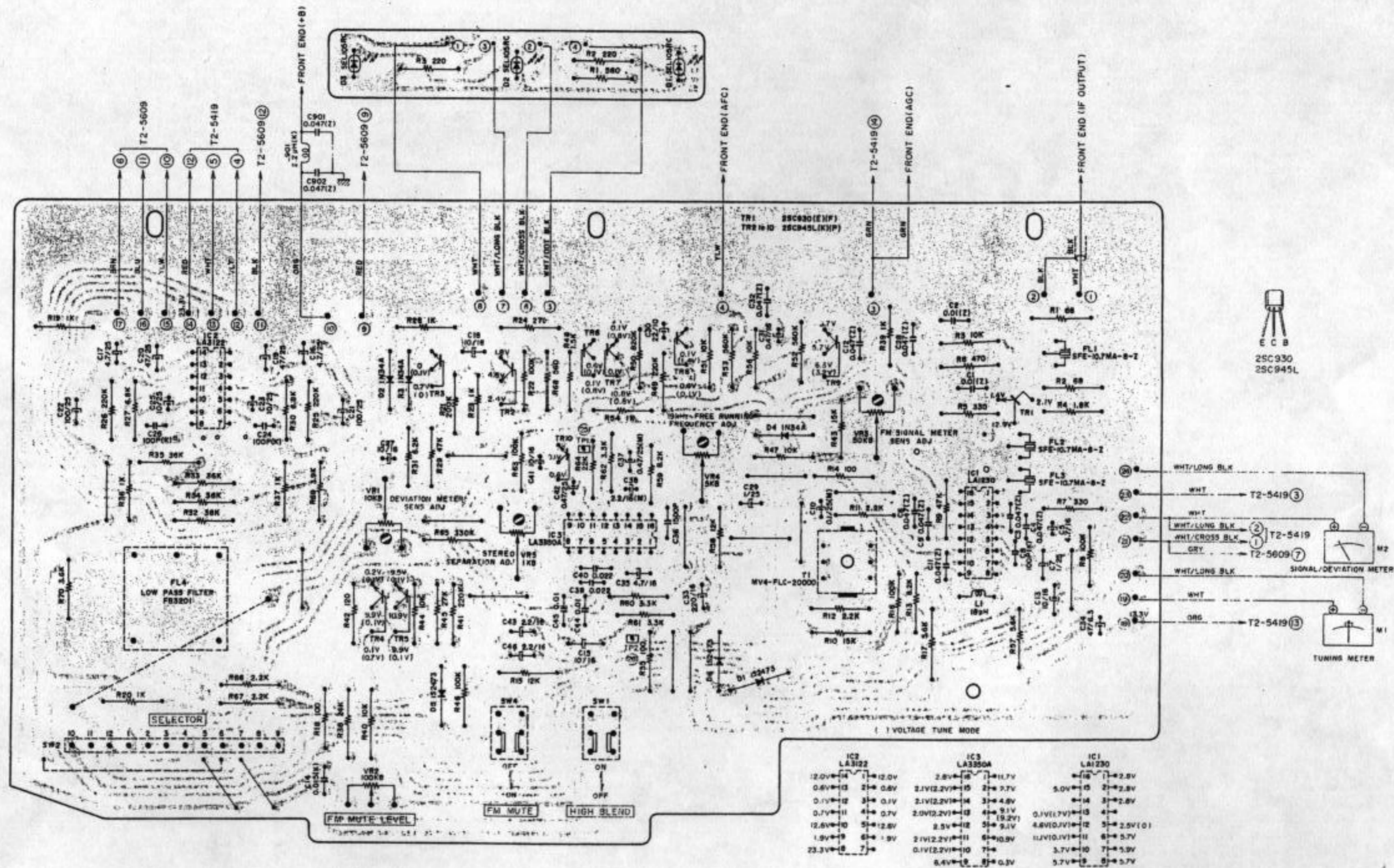
POWER SUPPLY PC BOARD T2-5419

NOTE
 1. UNLESS OTHERWISE SPECIFIED
 ALL RESISTORS IN OHMS (1/4W/1%)
 ALL CAPACITORS IN μF (50V/1%)
 P = 25°C
 2. POWER TRANSFORMER IS DIFFERENT
 ACCORDING TO AREA

AT-2600
 SCHEMATIC DIAGRAM
 NO.2-1 1540644A

LED PC BOARD
 T2-5608B

2. COMPOSITION OF VARIOUS P.C BOARDS
 1) FM IF P.C BOARD T2-5608A & LED P.C BOARD T2-5608B



ANTENNA

OUTPUT
FIXED VARIABLE

LEFT

RIGHT

AKAI ELECTRIC CO., LTD.

MODEL NUMBER AT-2600

MADE IN JAPAN
10V2

OSAKA, JAPAN

AKAI ELECTRIC CO., INC. 102

J 321833

CERTIFICATION
THIS EQUIPMENT COMPLIES AS OF DATE OF
REGISTRATION NO. IN THE FCC RULES AND
REGULATIONS PART 15. SUBPART B.

SHOCK HAZARD—DO NOT OPEN!
RISQUE Et CHOC—NE PAS OUVRIER!
Schock-Gefahr—NICHT ÖFFNEN!

AC
120V
60Hz

3W





F.M. 88 90 92 94 96 98 100 102 104 106 108 MHz
 AM 530 600 700 800 900 1000 1100 1200 1300 1400 1500 1600 kHz

AKAI
 STEREO TUNER
 AT-2600

POWER FM STEREO AFC

POWER
 ON-OFF

OUTPUT
 LEVEL

DEVIATION
 UP/DOWN



HIGH LEVEL
 SELECT

ON OFF

ON OFF

LEVEL

SELECTOR
 AUTO MANUAL

OUTPUT

FIXED

VARIABLE

LEFT

RIGHT

AKAI ELECTRIC CO., LTD.

MODEL NUMBER AT-2600

MADE IN JAPAN
 5010

SERIAL NUMBER

1977-49952

AKAI ELECTRIC CO., LTD. JAPAN

WARNING
 For safety instructions
 Please see manual

CAUTION
 TO PREVENT ELECTRIC SHOCK, DO NOT REMOVE ANY
 SCREWS. DO NOT SERVICE PLUGS INSIDE.
 PILOT LAMPS SOLDERED IN PLACE.
 REFER SERVICING TO QUALIFIED SERVICE PERSONNEL.

AC
 220V
 50Hz

