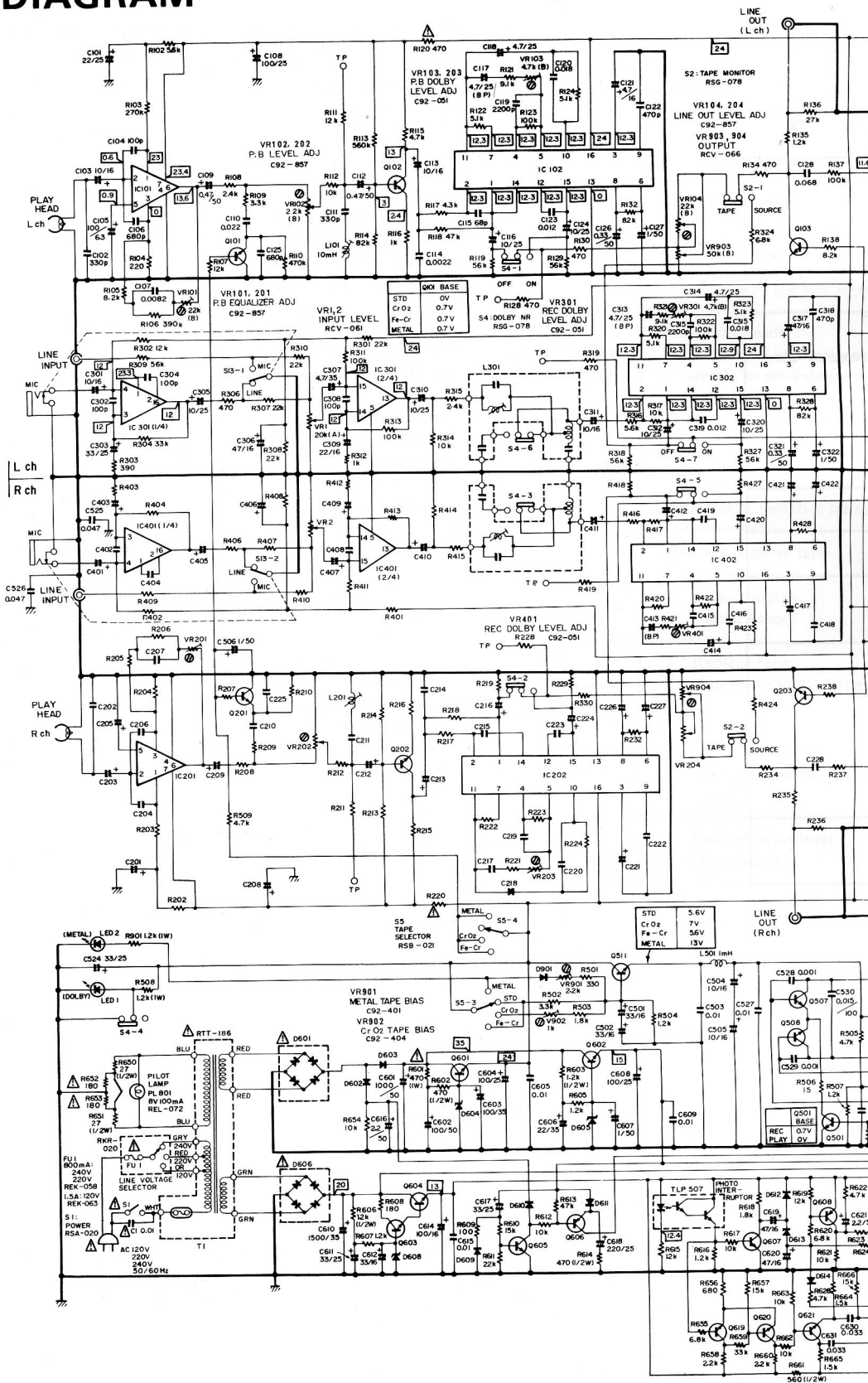
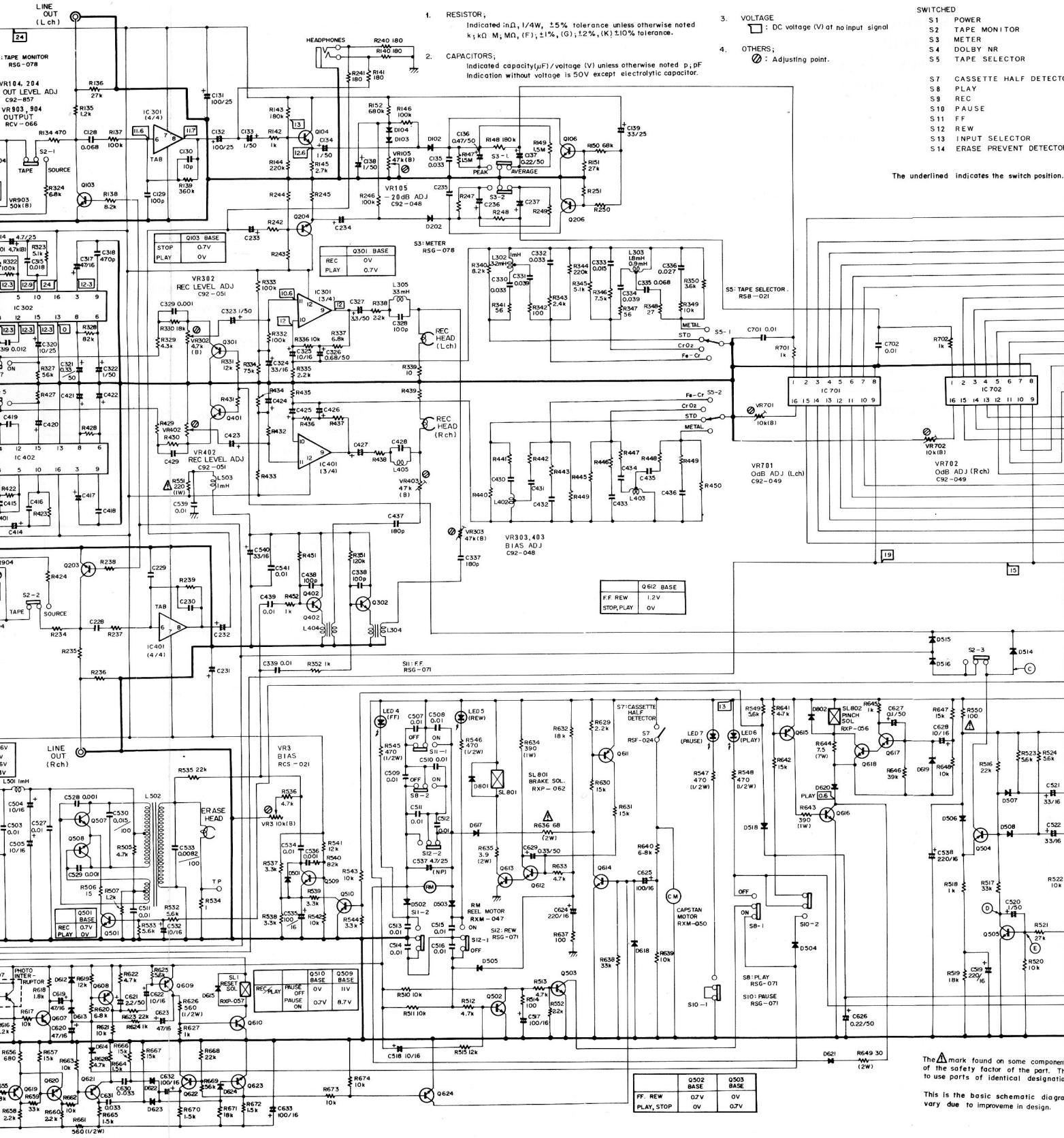


CT-F850 D, D/G, HE, HB

SCHEMATIC DIAGRAM

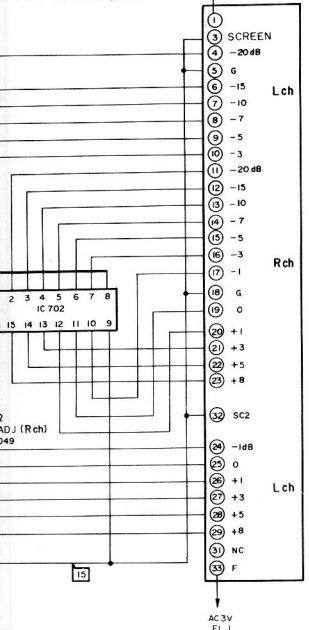




The Δ mark found on some component of the safety factor of the part. To use parts of identical designation. This is the basic schematic diagram vary due to improve in design.

- POWER ON - OFF
- TAPE MONITOR TAPE - SOURCE
- METER AVERAGE - PEAK
- DOLBY NR ON - OFF
- TAPE SELECTOR METAL - STD - CrO₂ - Fe-Cr
- CASSETTE HALF DETECTOR ON - OFF
- PLAY ON - OFF
- REC ON - OFF
- PAUSE ON - OFF
- FF ON - OFF
- REW ON - OFF
- INPUT SELECTOR LINE - MIC
- ERASE PREVENT DETECTOR ON - OFF

Indicates the switch position.



- 001, 201 2SC1740 - Ror Sor or 2SC828 - Ror Sor Q
- 002, 202 2SC1740LN - Ror S or 2SC1684 - Ror S
- 003, 203 2SC1740 - Ror S
- 004, 204 2SC1740 - Ror Sor or 2SC828 - Ror Sor Q
- 005, 205 2SC1740 - Ror Sor or 2SC828 - Ror Sor Q

- 0301 2SC1740 - Ror Sor or 2SC828 - Ror Sor Q
- 0302 2SC2060 - Ror or 2SC1384 - S
- 0401 2SC1740 - Ror Sor or 2SC828 - Ror Sor Q
- 0402 2SC2060 - Ror or 2SC1384 - S

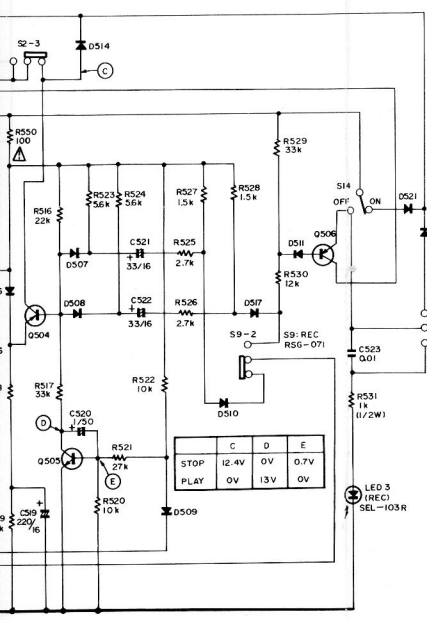
- 0501 2SC1815 - Y or GR
- 0502 2SC1740 - Ror S or 2SC828 - Ror Sor Q
- 0503 2SC1740 - Ror Sor or 2SC828 - Ror Sor Q
- 0504 2SA825 - Por Q
- 0505 2SC1740 - Ror S or 2SC828 - Ror Sor Q
- 0506 2SA825 - Por Q
- 0507 2SC2060 - Ror or 2SC1384 - S
- 0508 2SC2060 - Ror or 2SC1384 - S
- 0509 2SC1815 - Y or GR
- 0510 2SC1740 - Ror Sor or 2SC828 - Ror Sor Q
- 0511 2SD712 - Dor E

- 0601 2SD712 - Dor E or 2SD234 - Dor Y
- 0602 2SD712 - Dor E or 2SD234 - Dor Y
- 0603 2SC1740 - Ror S or 2SC828 - Ror Sor Q
- 0604 2SD712 - Dor E or 2SD234 - Dor Y
- 0605 2SC1740 - Ror S or 2SC828 - Ror Sor Q
- 0606 2SA825 - Por Q
- 0607 2SC1740 - Ror S or 2SC828 - Ror Sor Q
- 0608 2SA825 - Por Q
- 0609 2SA825 - Por Q
- 0610 2SC1419 - Cor or 2SC790 - Y
- 0611 2SA825 - Por Q
- 0612 2SC1740 - Ror S or 2SC828 - Ror Sor Q
- 0613 2SC1419 - C or 2SC790 - Y
- 0614 2SC2060 - Q or R
- 0615 2SA825 - Por Q
- 0616 2SC1419 - Cor or 2SC790 - Y
- 0617 2SC1740 - Ror S or 2SC828 - Ror Sor Q
- 0618 2SC1419 - Cor or 2SC790 - Y
- 0619 2SC1740 - Ror S or 2SC828 - Ror Sor Q
- 0620 2SC1740 - Ror S or 2SC828 - Ror Sor Q
- 0621 2SC1740 - Ror S or 2SC828 - Ror Sor Q
- 0622 2SC1740 - Ror S or 2SC828 - Ror Sor Q
- 0623 2SC1740 - Ror Sor or 2SC828 - Ror Sor Q
- 0624 2SC1740 - Ror Sor or 2SC828 - Ror Sor Q

- IC101, 201 AN370
- IC102, 202 PA4005
- IC301, 401 PA4001
- IC302 402 PA4005
- IL701, 702 BA658

- 0402, 103, 104, 202 IS2473
- 0502, 503 W03B or W03C
- 0501, 504 ~ 518 IS2473
- 0601 RB-151
- 0602 IS2471
- 0603 W03B or W03C
- 0604 IZ24 or RD24F(B) or (C)
- 0605 WZ-157
- 0606 S4VB10

- 0608 WZ-145
- 0609 ~ 614 IS2473
- 0615 W03B or W03C
- 0617 W03B or W03C
- 0618, 619, 622 ~ 624 IS2473
- 0620 V03C
- 0621 W03B or W03C
- 0601, 802 W03B or W03C
- 0901 IS2473



mark found on some component parts indicates the importance of the part. Therefore, when replacing, be sure to use parts of identical designation.

the basic schematic diagram, but the actual circuit may vary to improve in design.

POWER SUPPLY CIRCUIT FOR U.K. AND EUROPE MODEL

