

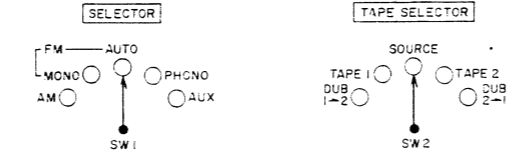
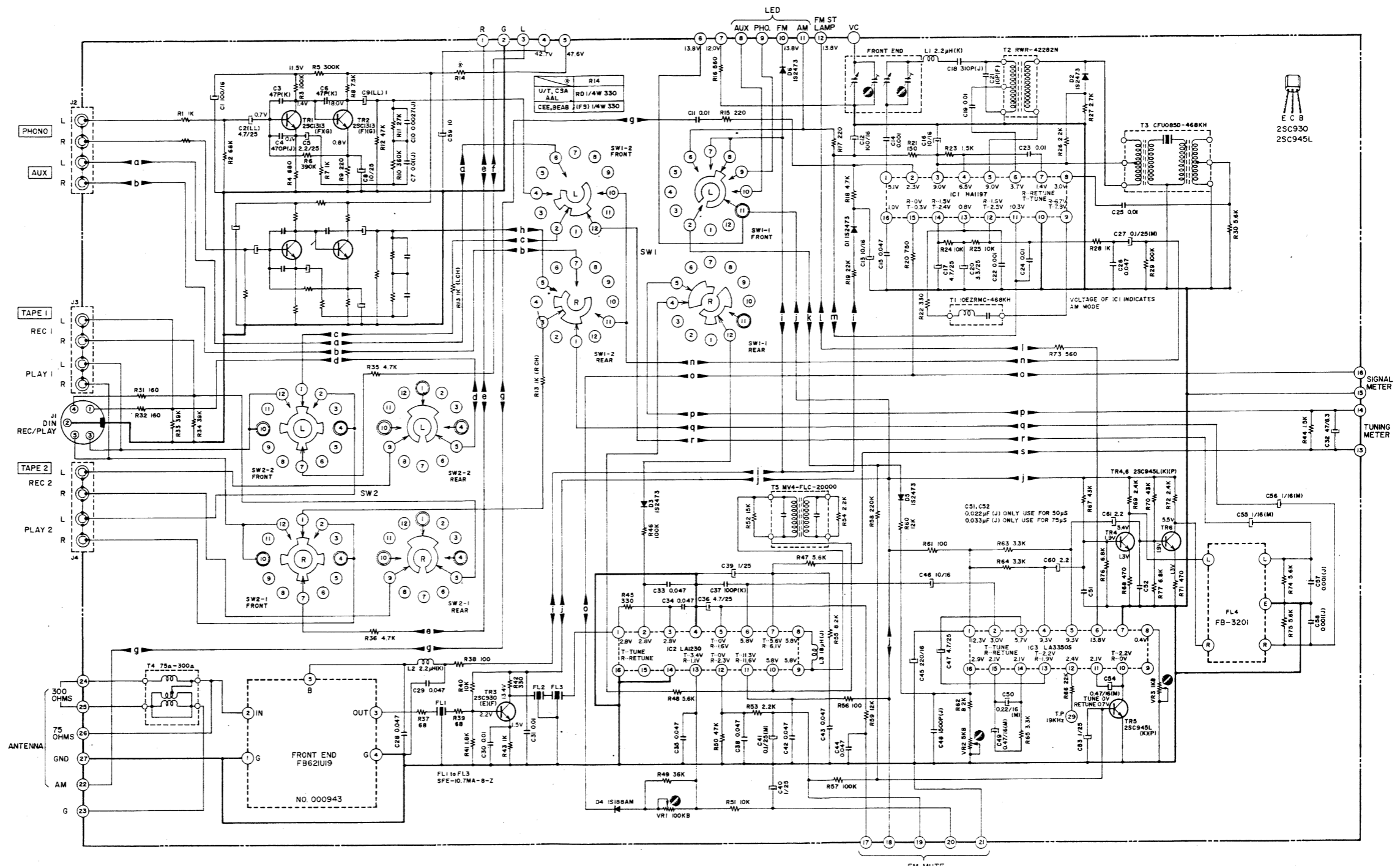
AKAI

AA1200

MODEL

SERVICE MANUAL

AA-1175,1200

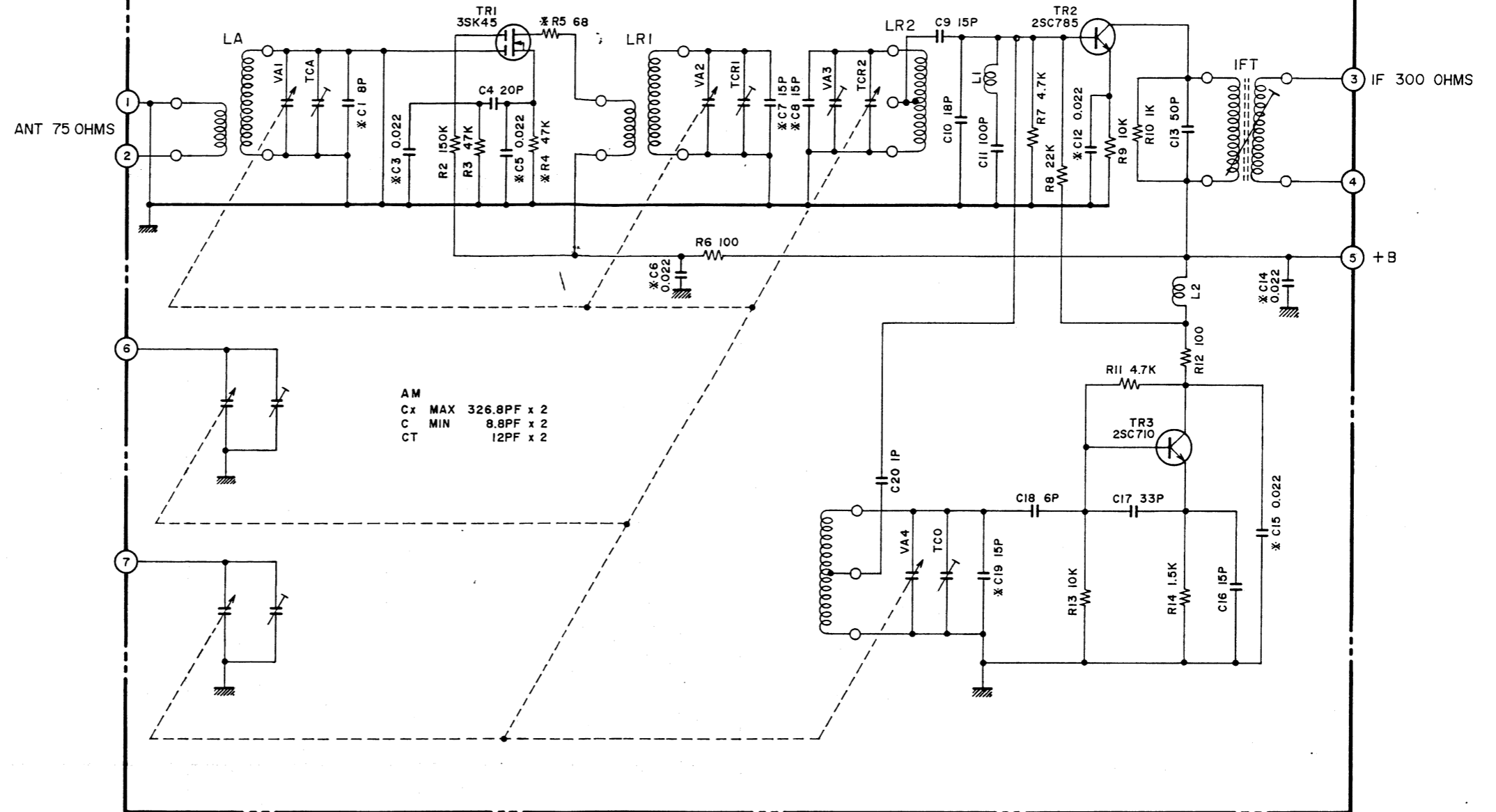


NOTE
 UNLESS OTHERWISE SPECIFIED
 AAL RESISTORS IN OHMS 1/4W (J)
 AAL CAPACITORS IN μ F 50WV (Z)
 (LL) INDICATES LOW LEAKAGE CAPACITORS

AA-1175,1200
 MULTIFUNCTION
 SCHEMATIC DIAGRAM
 NO.4-3 1560618A

000942C

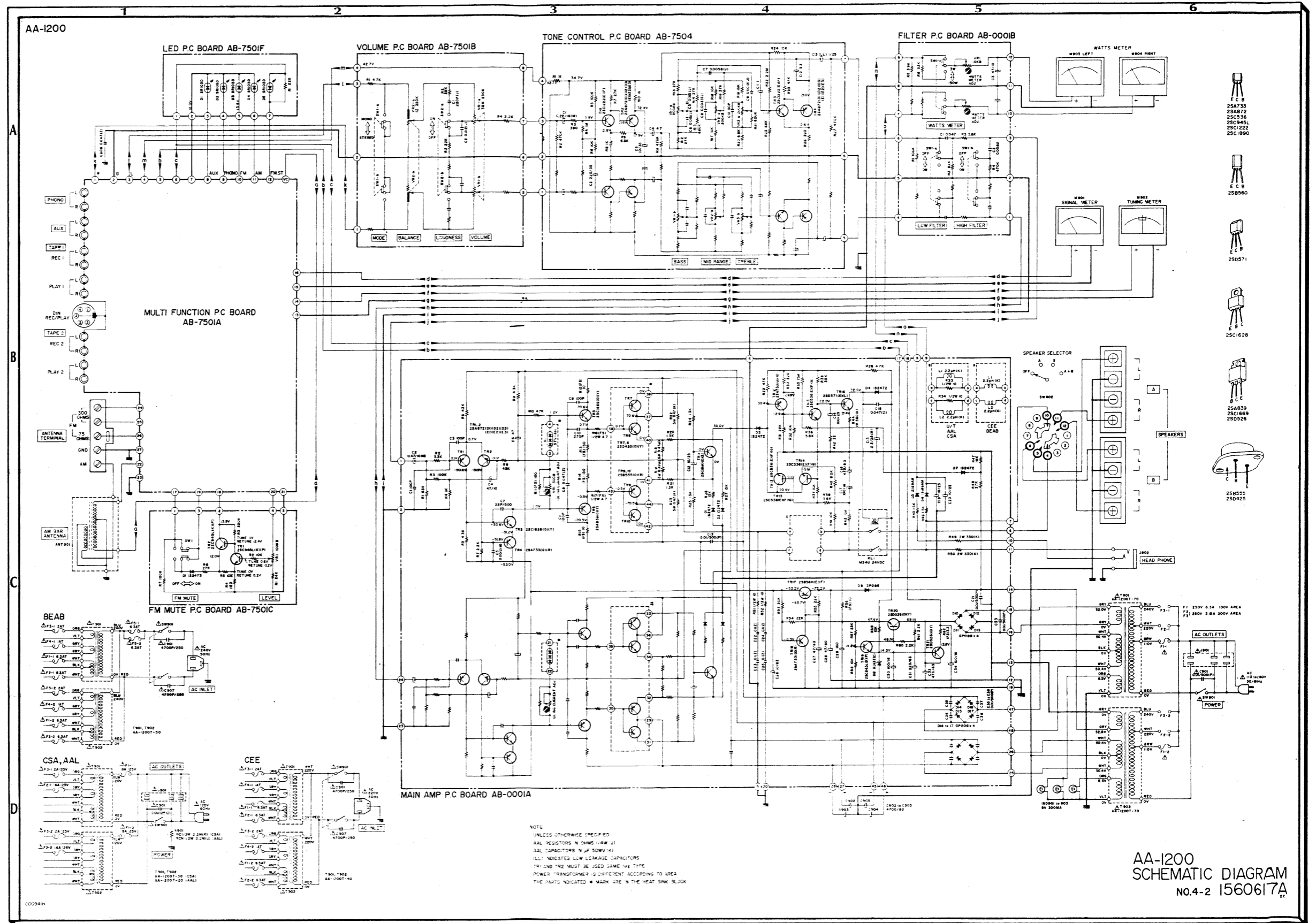
AA-1175,1200



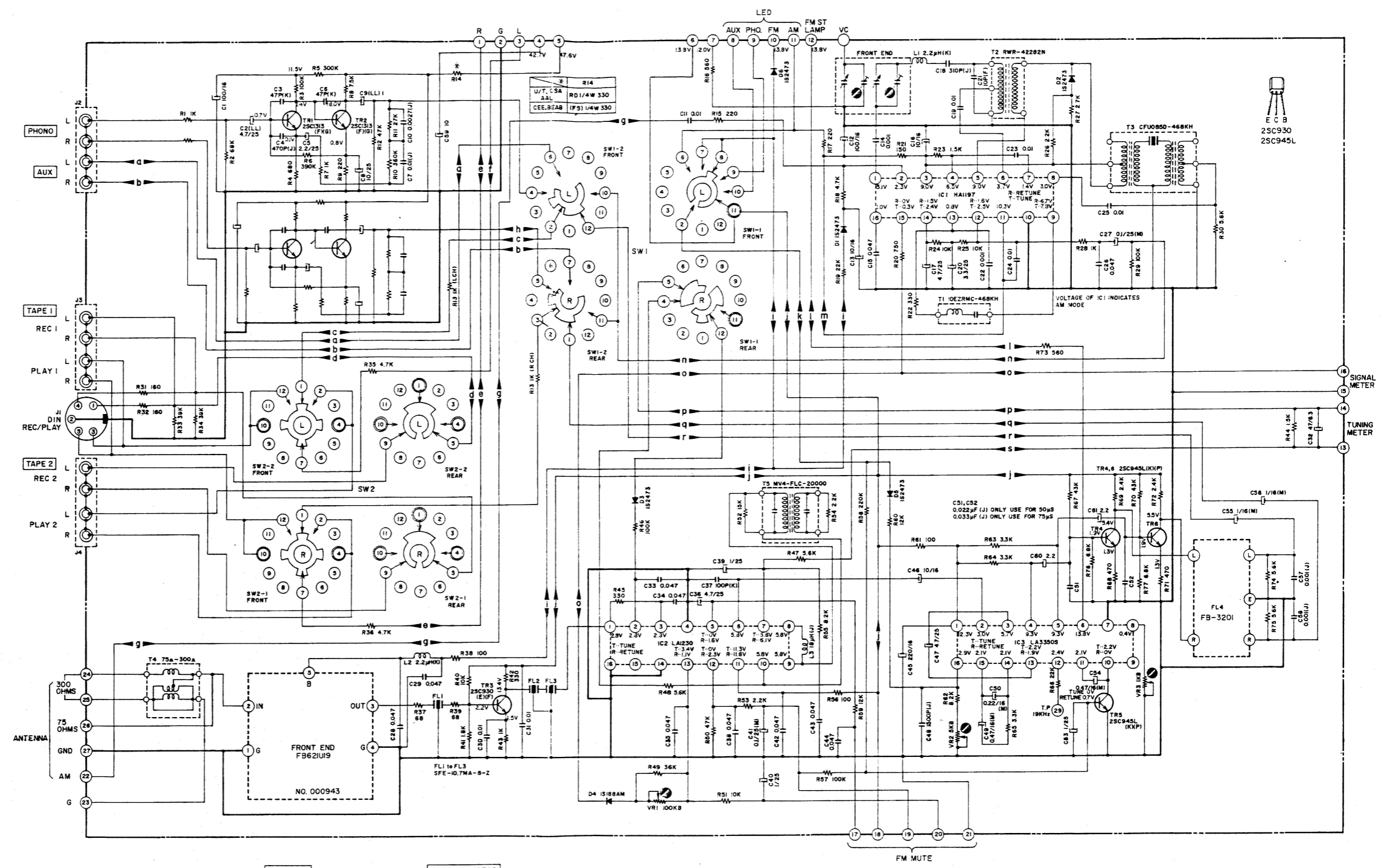
NOTE
 1. UNLESS OTHERWISE SPECIFIED
 ALL RESISTORS IN OHMS
 ALL CAPACITORS IN μ F
 2. * MARK: FACTORY ADJUSTED

AA-1175,1200
 FRONT END
 SCHEMATIC DIAGRAM
 NO. 4-4 1560619A

000943



AA-1175, I200

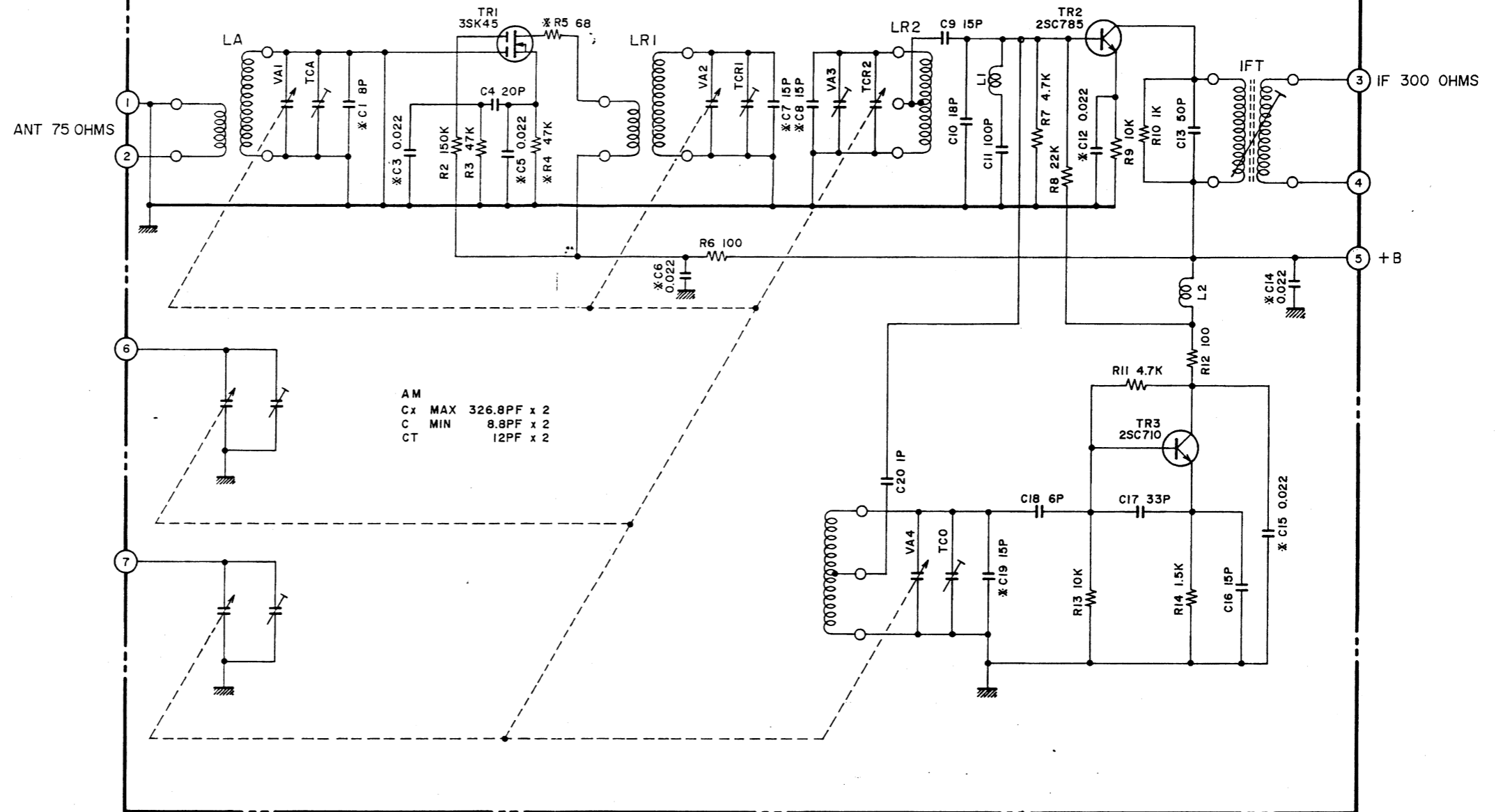


NOTE
 UNLESS OTHERWISE SPECIFIED
 AAL RESISTORS IN OHMS 1/4W (J)
 AAL CAPACITORS IN μ F 50WV (Z)
 (LL) INDICATES LOW LEAKAGE CAPACITORS

AA-1175, I200
 MULTIFUNCTION
 SCHEMATIC DIAGRAM
 No. 4-3 1560618A

0009*2C

AA-1175,1200



AM
 Cx MAX 326.8PF x 2
 C MIN 8.8PF x 2
 CT 12PF x 2

NOTE
 1. UNLESS OTHERWISE SPECIFIED
 ALL RESISTORS IN OHMS
 ALL CAPACITORS IN μ F
 2. * MARK: FACTORY ADJUSTED

AA-1175,1200
 FRONT END
 SCHEMATIC DIAGRAM
 NO. 4-4 1560619A

000943