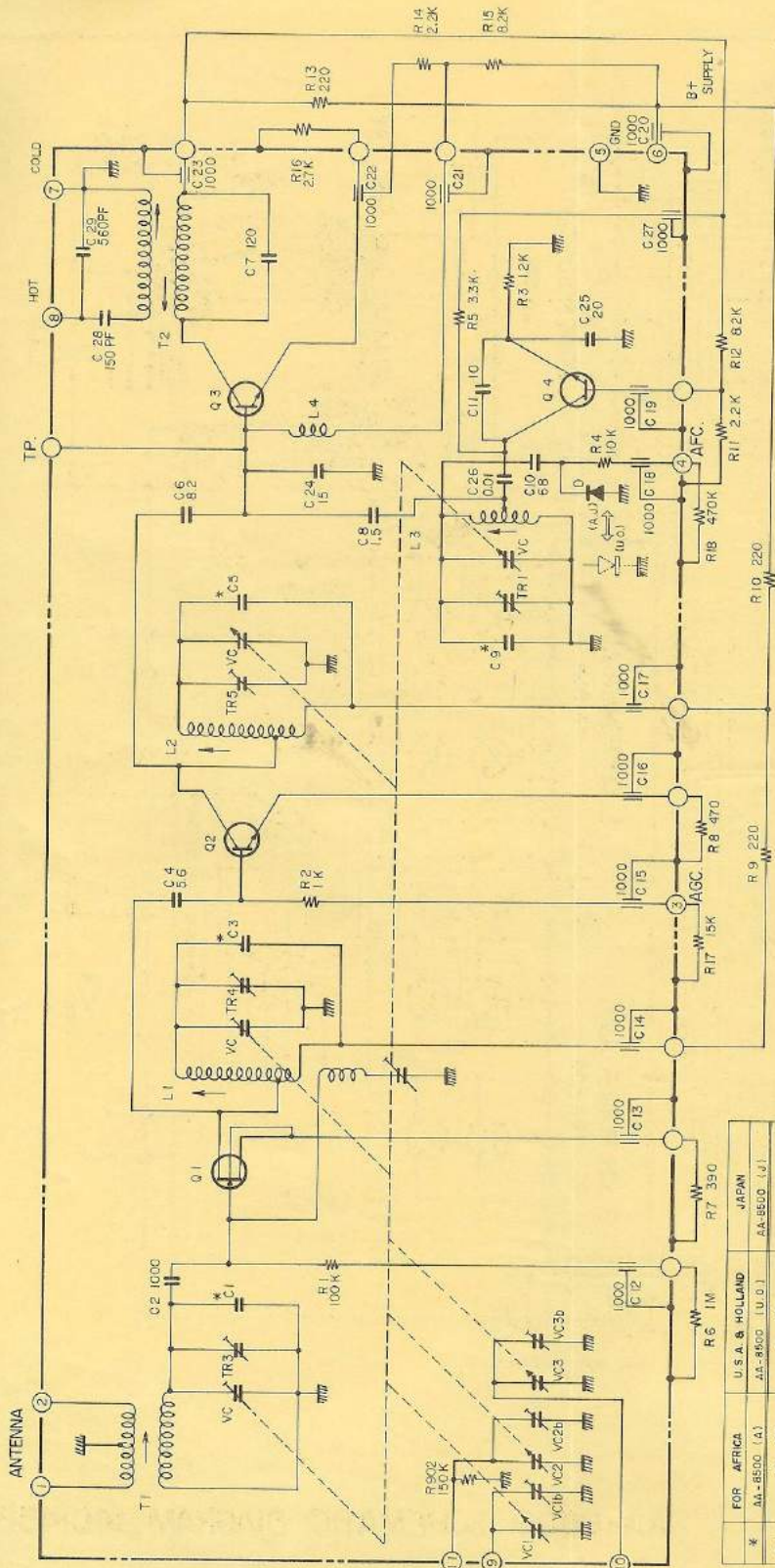


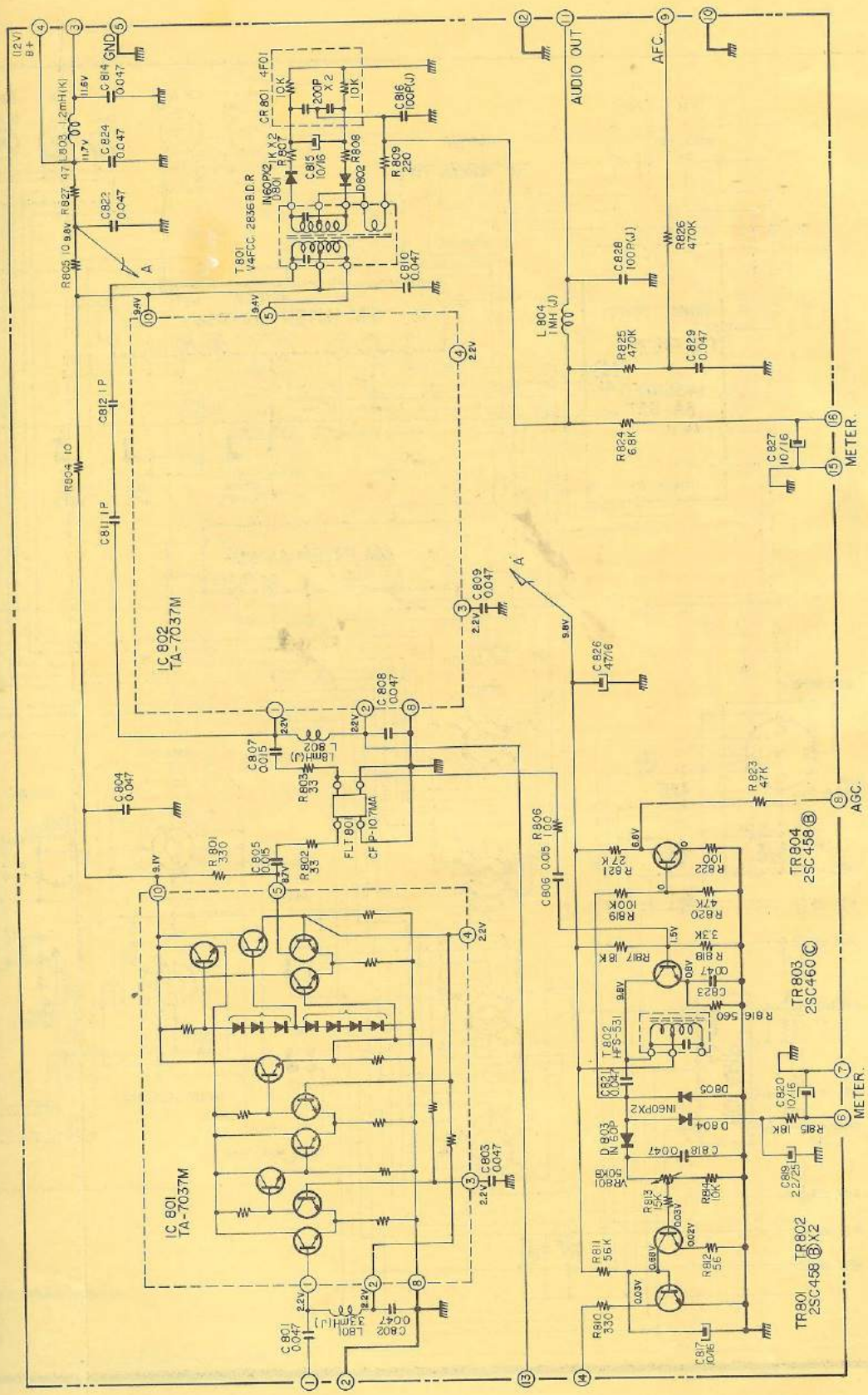
UNLESS SPECIFIED
 ALL RESISTORS IN OHMS 1/4W K
 ALL CAPACITORS IN MFD (MFD/WV)

AA-8500 SCHEMATIC DIAGRAM 14014560

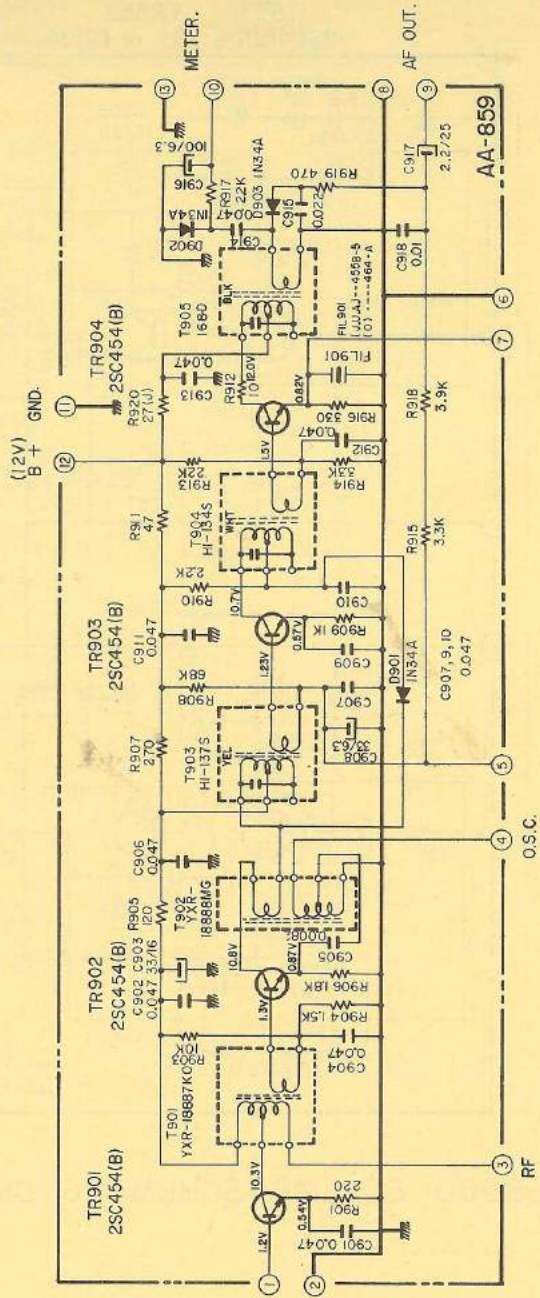


AA-8500 (FRONT END.) SCHEMATIC DIAGRAM. No. 9 - 1

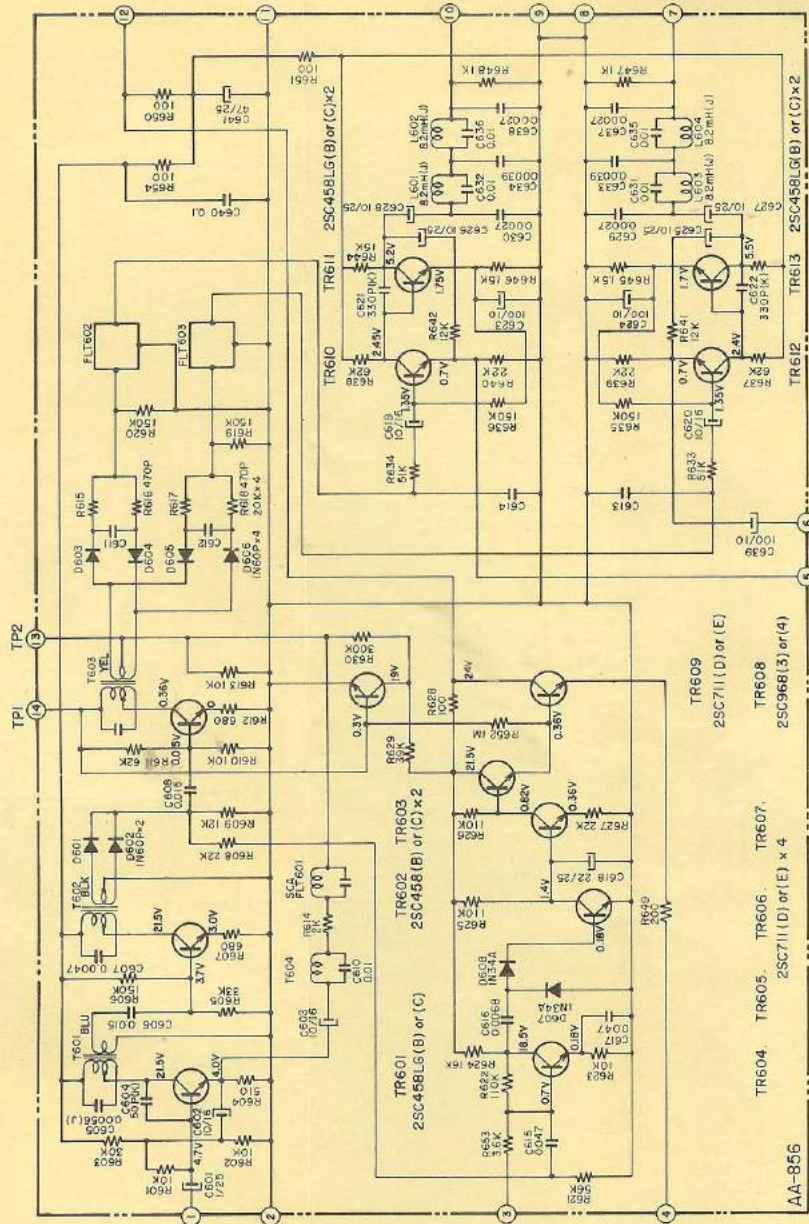
	FOR AFRICA	U.S.A. & HOLLAND	JAPAN
*	AA-8500 (A)	AA-8500 (U.O.)	AA-8500 (J)
C.1	10 PF	12 PF	10 PF
C.3	14 PF	15 PF	20 PF
C.5	14 PF	15 PF	20 PF
C.9	4 PF	15 PF	15 PF



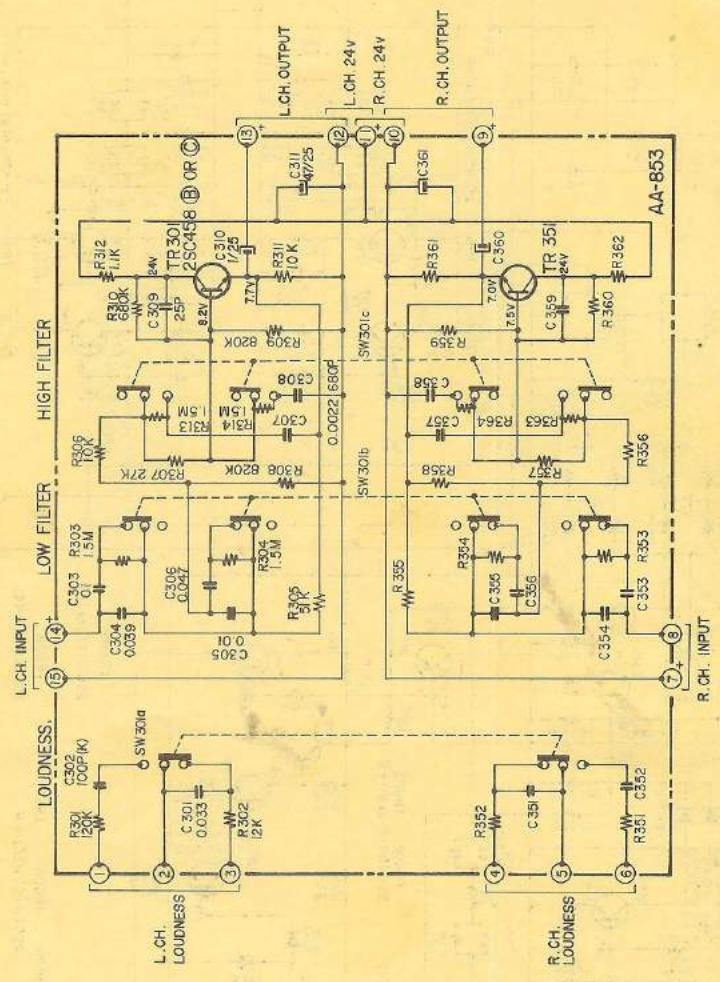
AA-8500 (FM. INTER) SCHEMATIC DIAGRAM. No.9-2



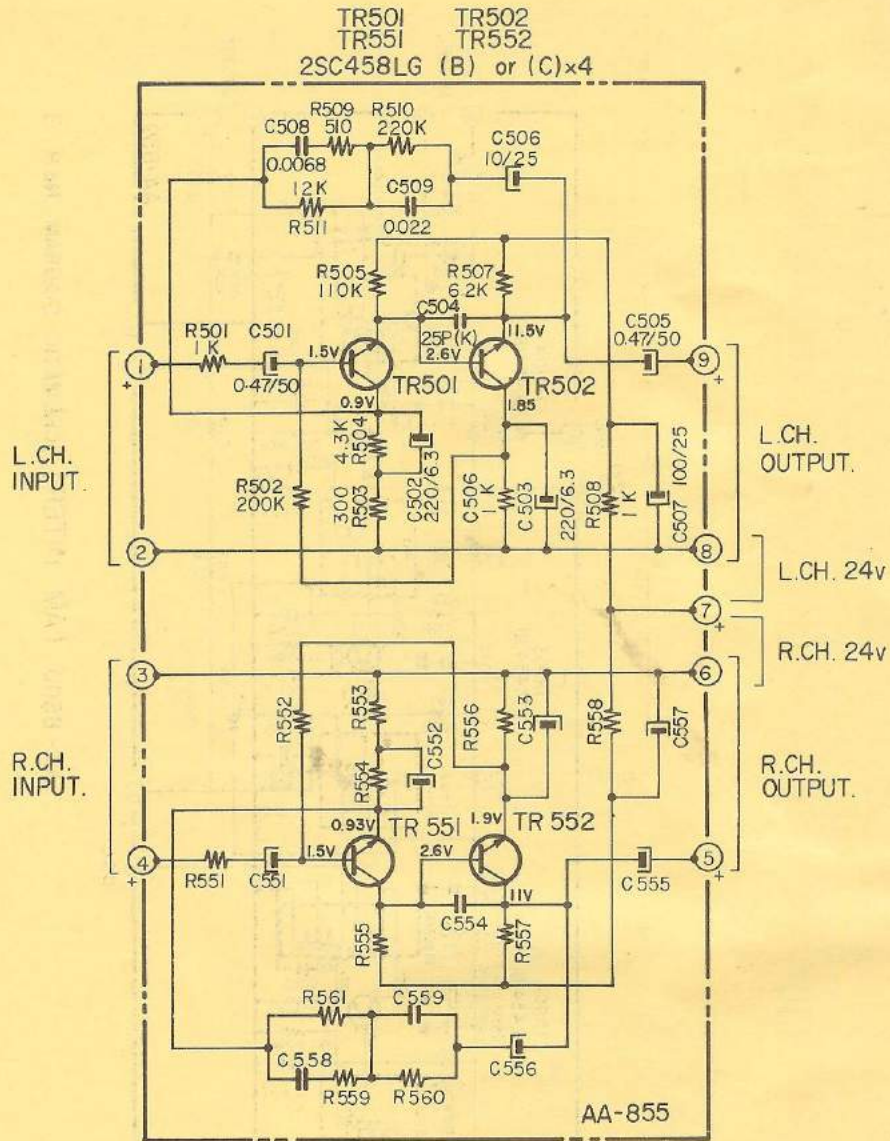
AA - 8500 (AM INTER) SCHEMATIC DIAGRAM, No.9 - 3



AA-850 FM-MPX SCHEMATIC DIAGRAM, No.9-4



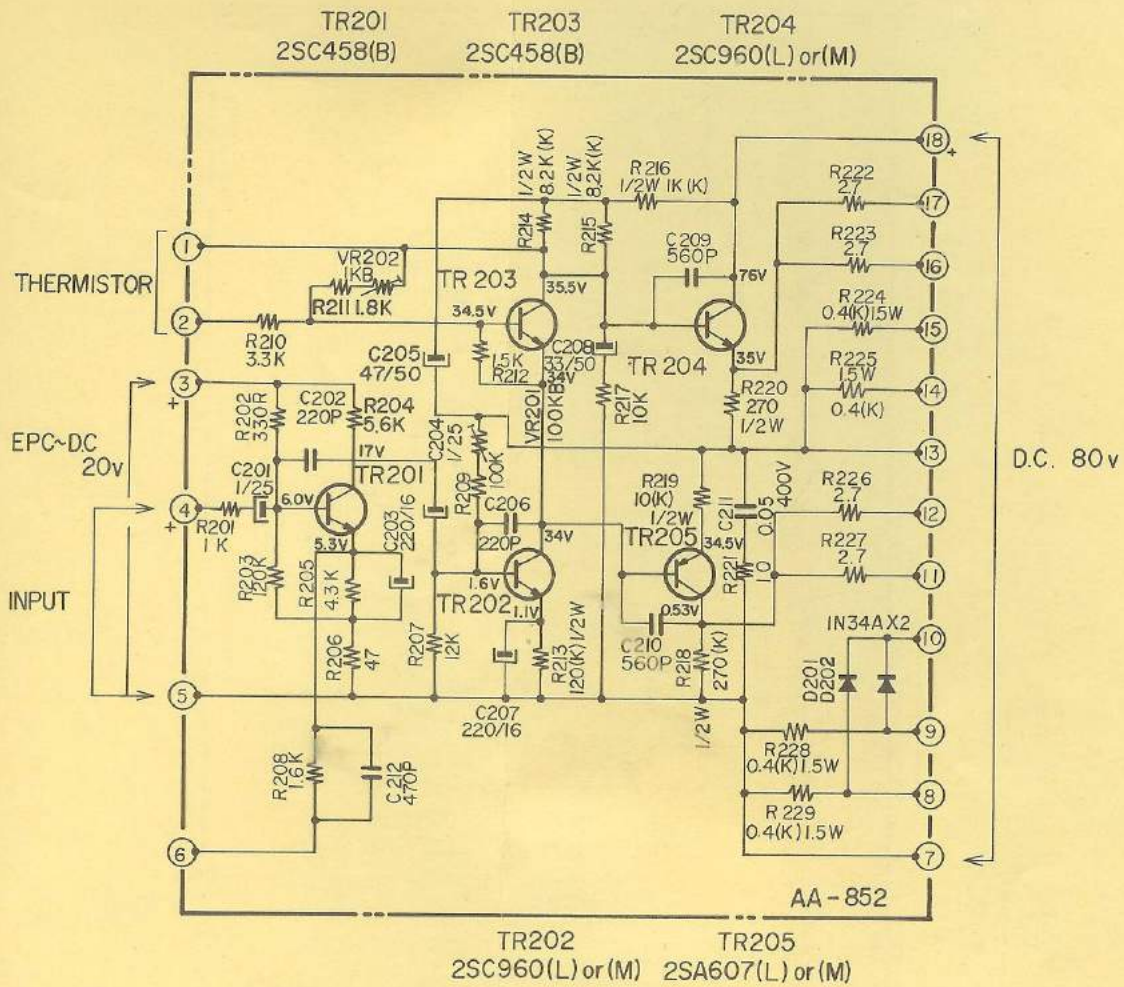
AA-8500 FILTER SCHEMATIC DIAGRAM. No.9-5



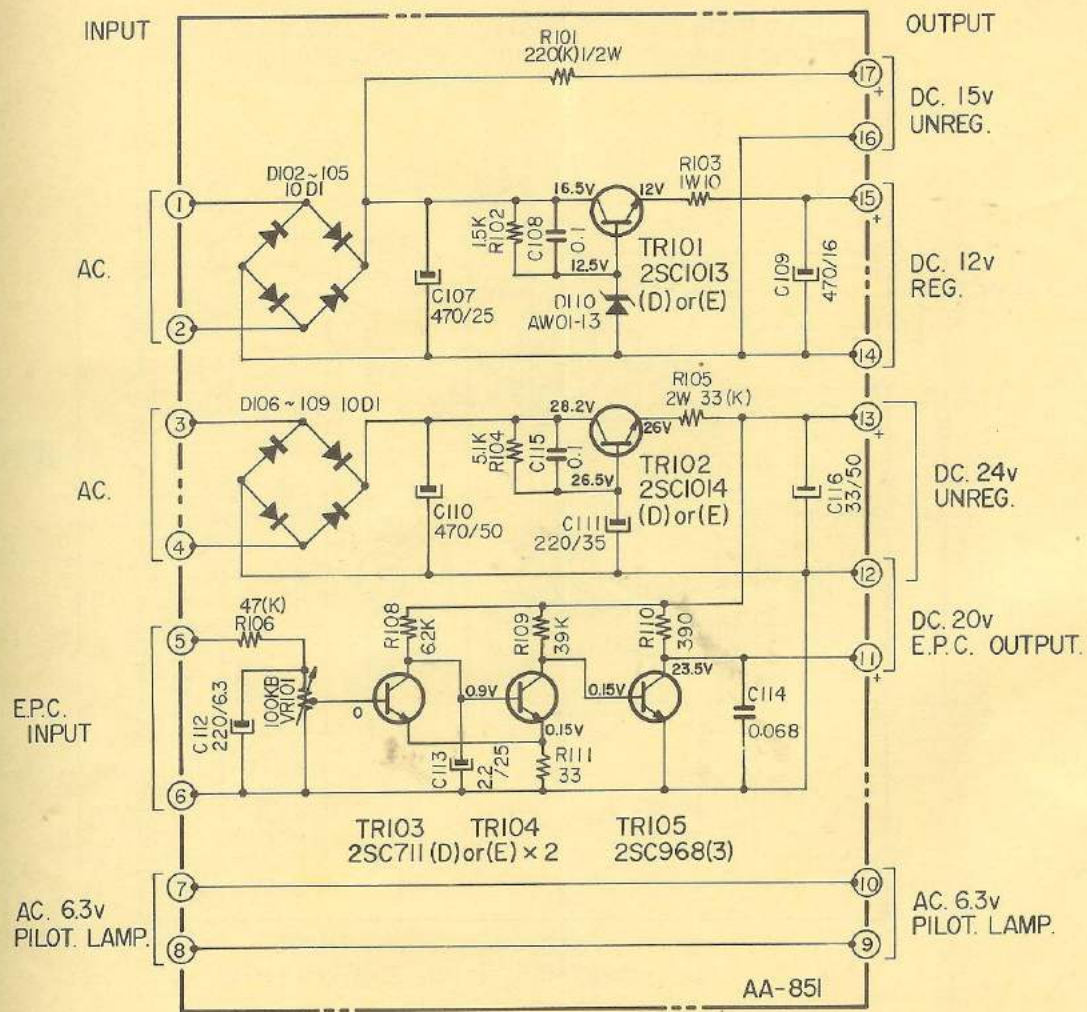
AA-8500 EQ AMP. SCHEMATIC DIAGRAM. No.9 - 6

TR403 TR404
2SC485 (B) or (C) x 2

TR401 TR402
2SC458LG (B) or (C) x 2



AA-8500 POWER AMP. SCHEMATIC DIAGRAM. No.9-8



AA-8500 POWER SUPPLY SCHEMATIC DIAGRAM. No.9-9