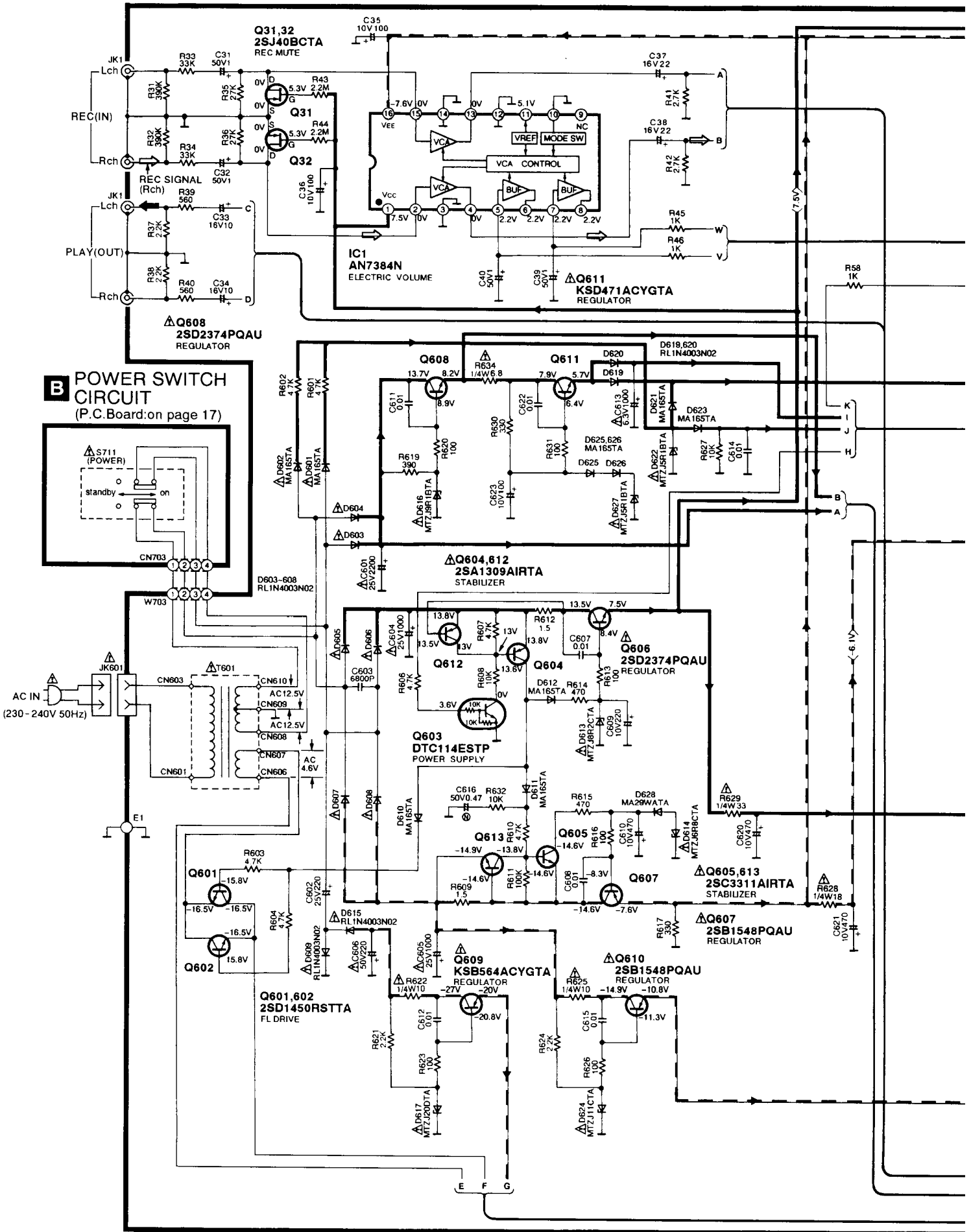
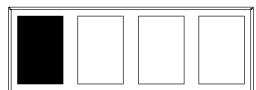
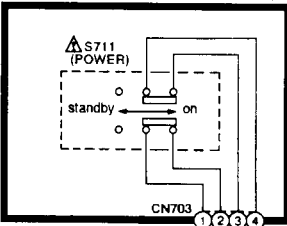
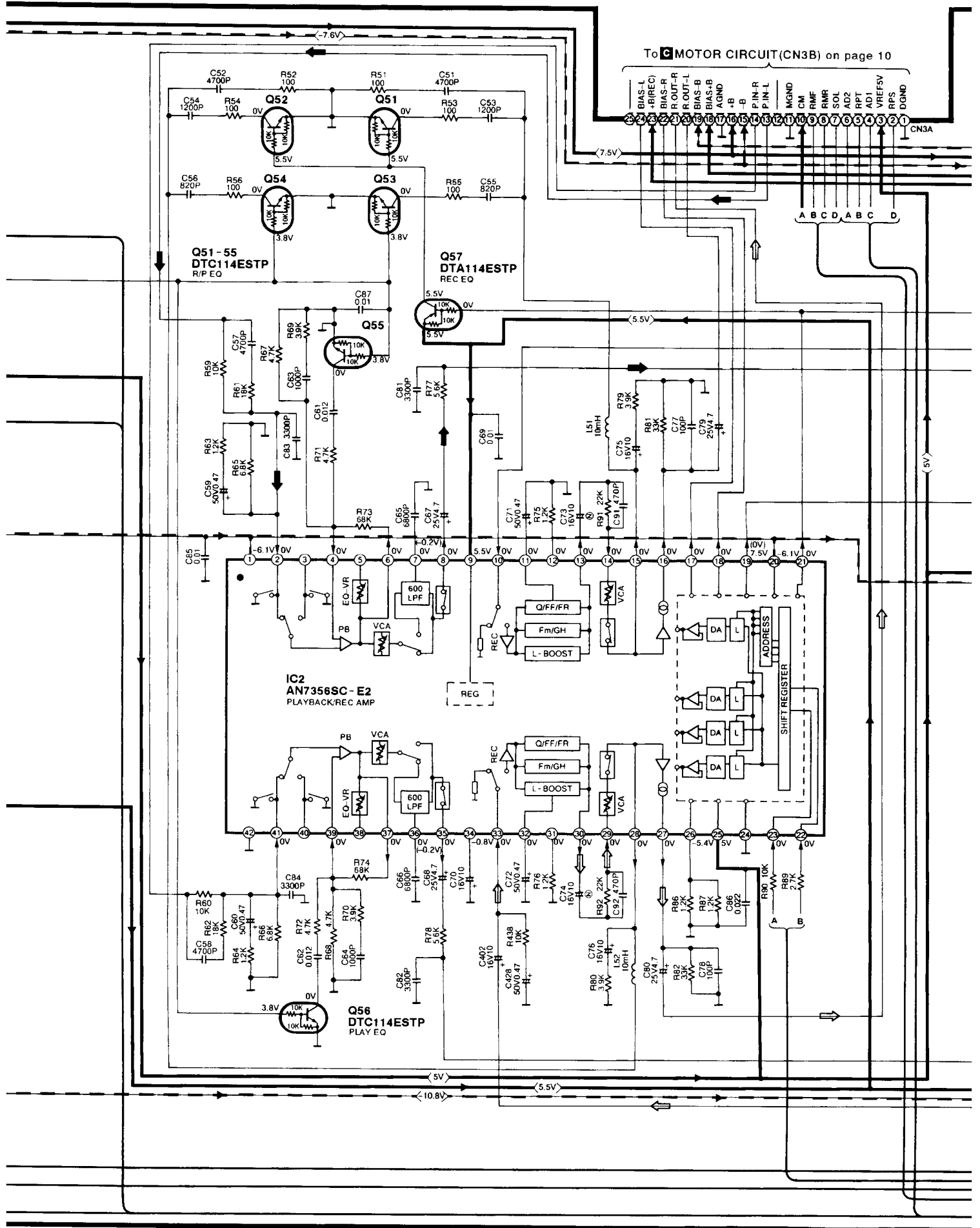


**A** MAIN CIRCUIT (P.C.Board: on page 18)

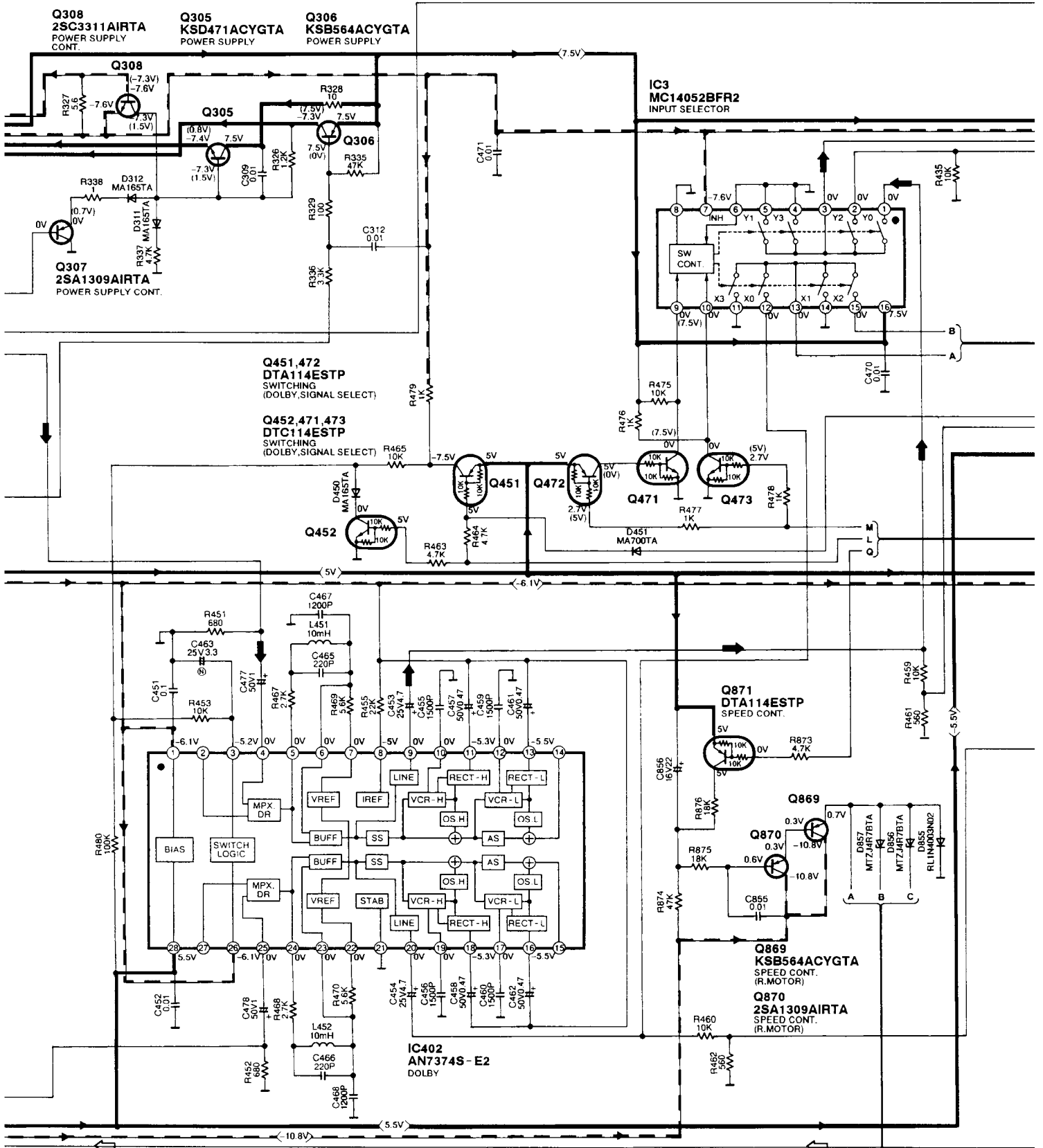


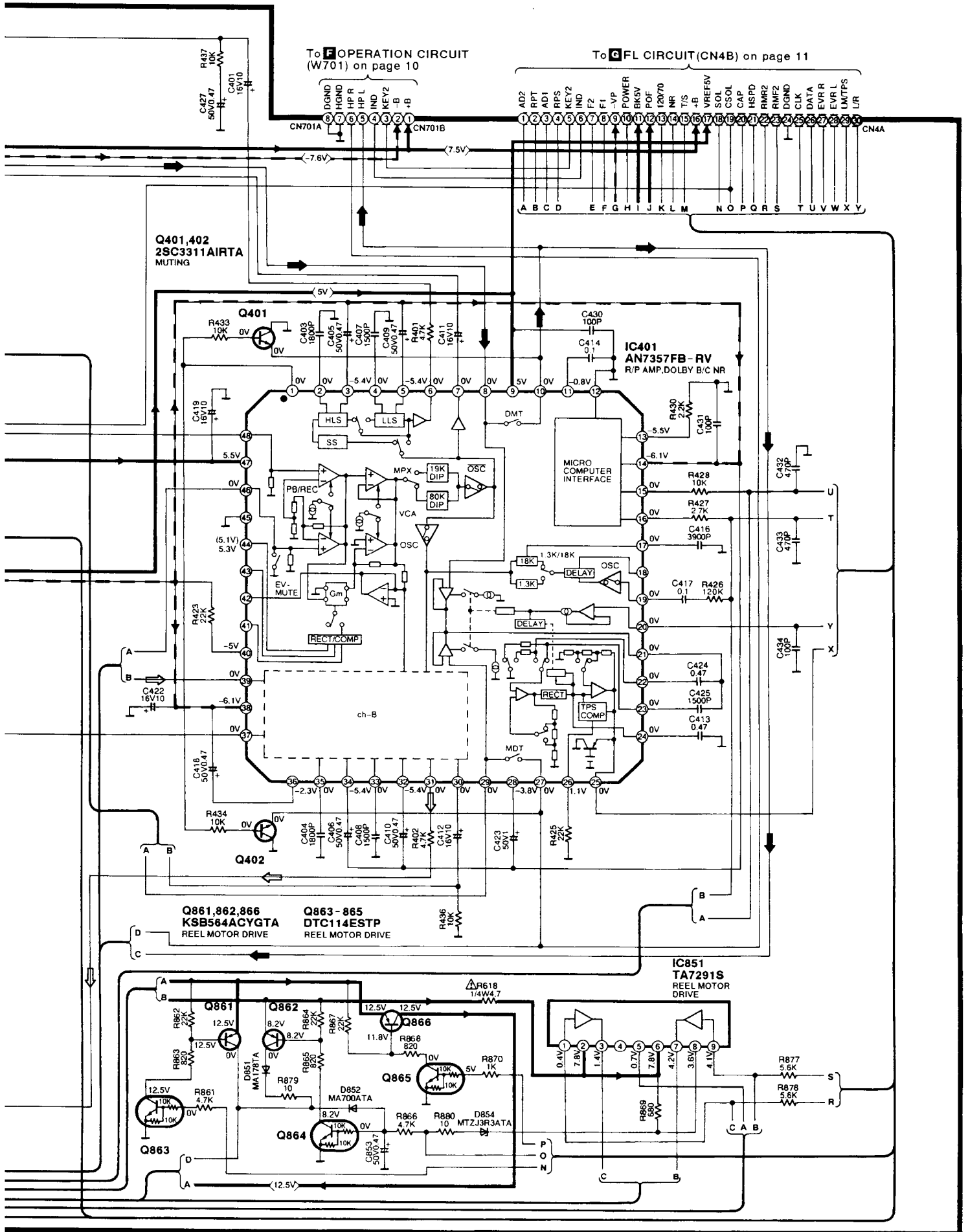
**B** POWER SWITCH CIRCUIT (P.C.Board: on page 17)



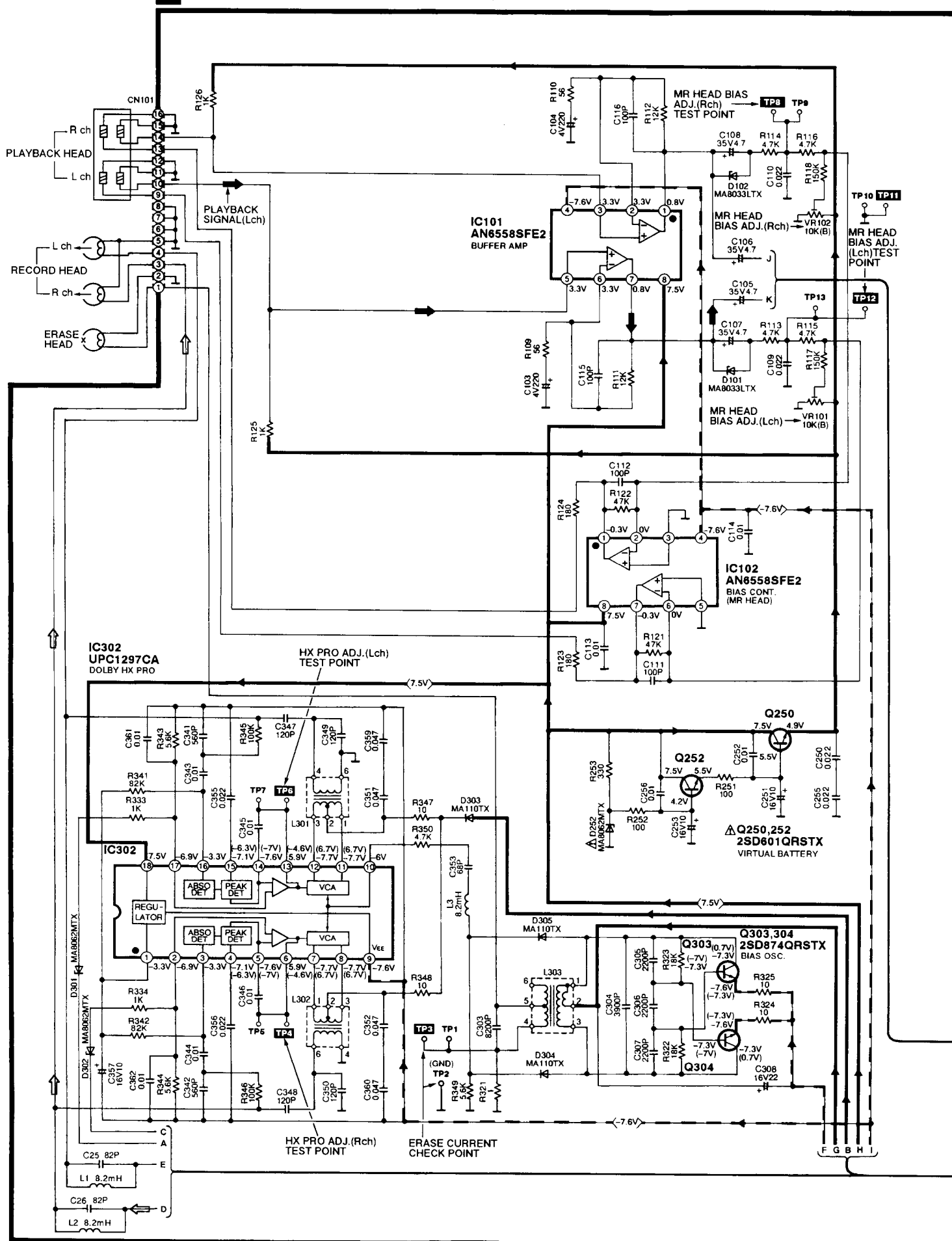


**A** MAIN CIRCUIT (P.C.Board: on page 18)

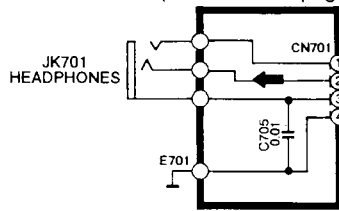




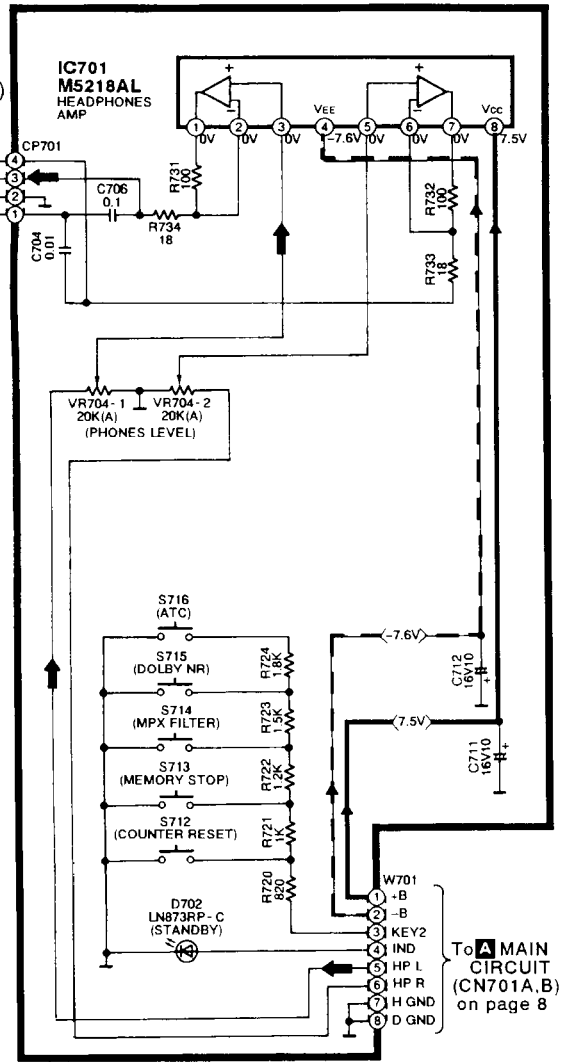
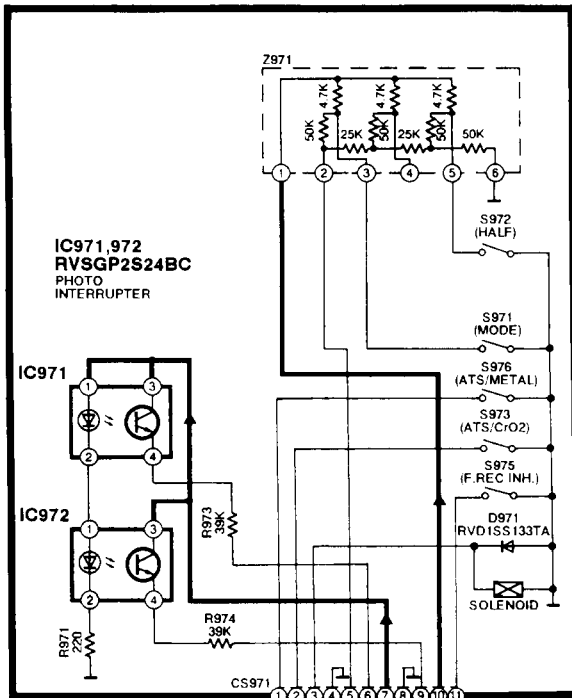
**C** MOTOR CIRCUIT (P.C.Board: on page 16)



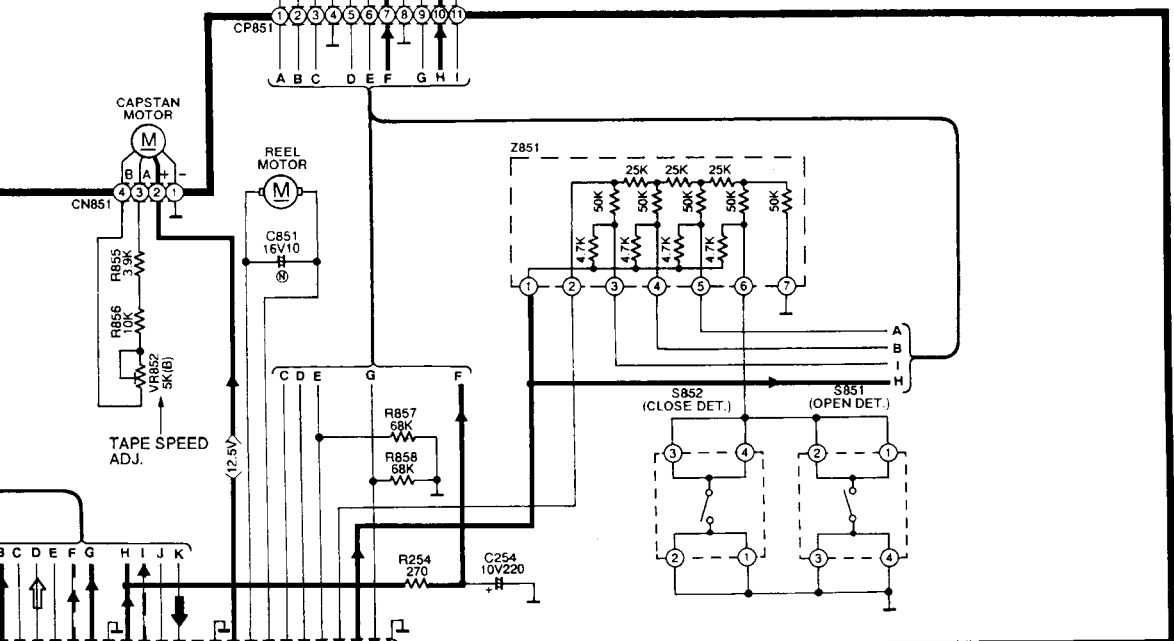
**E HEADPHONES JACK CIRCUIT**  
(P.C.Board: on page 17)



**D MECHANISM CIRCUIT** (P.C.Board: on page 16)



To **A** MAIN CIRCUIT (CN701A,B) on page 8



To **A** MAIN CIRCUIT (CN3A) on page 8



**G** FL CIRCUIT (P.C.Board: on page 17)

